

Bravo™ AC

Installation, operating and maintenance manual

English Original manual

EN

Manuel d'installation d'emploi et d'entretien

Français Traduction de la notice originale

FR

Installations-, Gebrauchs- und
Wartungsanleitung

Deutsch Übersetzung der Originalanleitung

DE

Handleiding voor installatie, gebruik en
onderhoud

Nederlands Vertaling van de oorspronkelijke handleiding

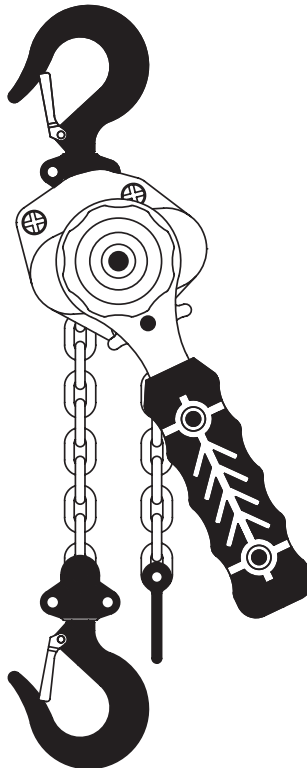
NL

EN Manual lever chain hoist

DE Hebelzug

FR Palan manuel à levier et à chaîne

NL Hand rateltakel



Contents	Page
General Warning	2
1. Description of the Hoist	3
2. Technical Specifications	4
3. Installation	5
4. Operation.....	5
4.1. Operating principle	5
4.2. Installing the lifting hook on the load rigging point	5
4.3. Maneuvering the hoist	5
4.4. Important additional instructions	5
5. Storage.....	5
6. Load Chain.....	6
7. Maintenance.....	6
8. Emergency Procedure in Case of an Incident.....	6
9. Markings.....	6
9.1. Standard marking	6
10. Do Not's	6

General Warning

1. Before installing and using this unit, in a safe and efficient manner, be sure you have read and fully understood the information and instructions given in this manual. A copy of this manual should be made available to every operator. Extra copies of this manual will be supplied on request by TRACTEL®.
2. Do not use the unit if any of the identification plates mounted on the unit are missing or if any of the information on the plates, in particular the WLL*, is missing or illegible. Identical plates will be supplied by TRACTEL® on request. The replacement plate must be installed before continuing use of the unit.
3. Each time before using the unit, make sure it is visibly in good condition.
4. The chain must be in good condition to ensure safe, correct operation of the unit. The condition of the chain must be checked each time before use as indicated in the "load chain" section 6. Any unit with a chain showing signs of wear should be removed from use and returned to TRACTEL® for inspection and repair if necessary.
5. Each time before using the unit, check that the low limit stop is in place.
6. For professional applications, in particular if the unit is to be operated by an employee, make sure that you are in compliance with all safety at work regulations governing installation, maintenance

- and use of the equipment, and more specifically as concerns the required inspections: verification on commissioning by user, periodic inspections and checks after disassembly or repair.
7. To ensure safe use of the unit, it should be visually inspected and serviced regularly. Depending on the working environment, check for any signs of corrosion or premature wear.
 8. Make sure that all persons to whom you have entrusted use of this unit are perfectly familiar with operation of the unit and know all the safety requirements.
 9. This unit must only be used in full compliance of all safety regulations and standards applicable at the location of intervention as concerns installation, use, maintenance and inspection of equipment lifting devices.
 10. For all professional purposes, the unit must be placed under the responsibility of a person perfectly familiar with the regulations applicable at the intervention location, and having the authority to enforce application of the regulations when the person in charge of the unit is not the operator.
 11. Any person using this unit for the first time must check, under risk-free conditions, that he has perfectly understood all the safety requirements and methods for efficient use of the unit before applying any load to this unit. This check can be performed using a test load representing at least 10 % of the working load limit (WLL*).
 12. The unit must only be installed and set into service under conditions ensuring the installer' safety in compliance with the regulations applicable to its category.
 13. TRACTEL® declines any responsibility for operation of this unit in any mounting configuration other than that described in this manual in section 3 "Installation".
 14. The unit must be fastened to an anchoring point and to a structure having the necessary strength to support the maximum load (WLL*) indicated on the unit. If several units are used, the strength of the structure must be compatible with the number of lifting units used and with the maximum utilization load of the units.
 15. The unit is designed for manual operation and must never be motorized.
 16. When using the lever hoist, the user must ensure that the chain remains constantly tensioned by the load, and more particularly, that the load has not been temporarily snagged by an obstacle when coming down as this could result in rupture of the chain when the load is released from its obstacle.
 17. When using the lever hoist, the user must check, at all times, that the chain does not rub against an obstacle.
 18. The unit must never be used for lifting people.

(*): Working Load Limit



19. The unit must never be used for any operations other than those described in this manual. The unit must never be used to handle any loads exceeding the maximum utilization load indicated on the unit. It must never be used in explosive atmospheres.
20. Never park or circulate under a load. Access to the area under the load should be indicated by signs and prohibited.
21. When a load is to be lifted by several units, a technical study must first be carried out by a qualified technician before installation of the units. The installation must then be carried out in compliance with the study, in particular to ensure an even distribution of the load under appropriate conditions. TRACTEL® declines any responsibility for the consequences resulting from use of a TRACTEL® device in combination with other lifting devices of another manufacturer.
22. During lifting operations (up or down), the operator must continuously observe the load to prevent any risk of snagging.
23. The load chain forms an integral part of the unit and must not be either disassembled, repaired or modified without TRACTEL® supervision. Any disassembly or change to the load chain without TRACTEL® supervision will release TRACTEL® of any responsibility resulting from unauthorized disassembly or modification of the load chain.
24. The lifting hook forms an integral part of the unit and must not be either disassembled, repaired or modified without TRACTEL® supervision. Any disassembly or change to the lifting hook without TRACTEL® supervision will release TRACTEL® of any responsibility for the consequences resulting from unauthorized disassembly or modification of the lifting hook.
25. TRACTEL® declines any responsibility for the consequences of any changes made to the unit or removal of parts forming part of the unit.
26. Any disassembly or repair operation carried out on the unit without TRACTEL® supervision will release TRACTEL® of its responsibility for any of the resulting consequences, especially as concerns replacement of genuine parts by parts of another manufacturer.
27. TRACTEL® will only guaranty operation of the unit provided it is equipped with a genuine TRACTEL® chain in accordance with the specifications indicated in this manual.
28. The unit must be periodically inspected by a Tractel-approved repair agent as indicated in this manual.
29. A servicing handbook must be maintained up to date in accordance with the model given at the end of this manual.
30. When the unit is not being used, it should be stored in a location inaccessible to persons not authorized to use the unit.

31. In the event of definitive removal from service of the unit, all environment protection regulations applicable in the country of use must be observed.

1. Description of the Hoist

The Bravo™ AC hoist is a portable manual handle-actuated hoist for lifting, pulling and tensioning. It is normally used on a fixed anchor point or with suspension trolleys. Information about suspension trolleys can be obtained from TRACTEL® on request.

Manufactured from high-quality materials, the Bravo™ AC hoist is a robust tool. It is compact, portable and easy to use. Its weight has been reduced by using aluminium casings.

The Bravo™ AC hoist is supplied with a standard 1.50 m length of load chain (item 1, fig. 1). The hoist chain is made of a single drop with a lifting hook at the end (ref. 2, fig. 1). The free end of the chain is equipped with a low limit stop (item 4, fig. 1).

CAUTION: It is prohibited to fasten a load to the low limit stop.

A disengage device allows for fast easy adjustment of the chain using the limit stop. This operation must only be performed with no load on the hoist.

The Bravo™ AC hoist complies with the requirements of the European directive 2006/42/CE and the The Supply of Machinery (Safety) Regulations 2008 (SI 2008/1597) of the United Kingdom and is designed to ensure a minimum mechanical strength of 4 x WLL*.

The Bravo™ AC hoist is designed and built to withstand dynamic testing at 1.1 x WLL and static testing at 1.5 x WLL.

Description of a standard delivery:

- Hoist with chain.
- CE and UKCA Certificate of conformity.
- This manual.
- A bag for transportation and storage.

The hoist is supplied in a cardboard box.

2. Technical Specifications

EN

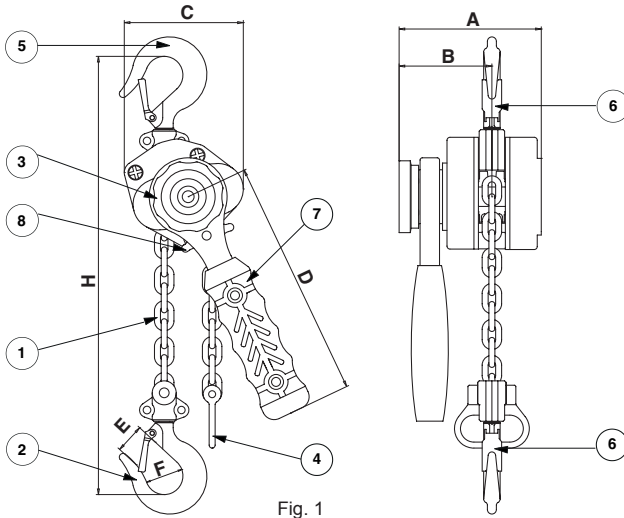
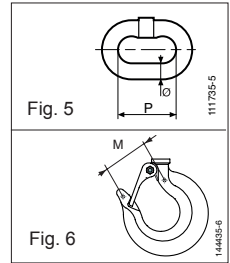
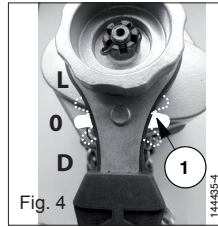
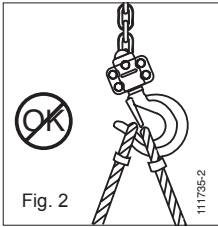


Fig. 1

1: load chain. 2: lifting hook. 3: wheel. 4: low limit stop. 5: suspension hook. 6: safety catch. 7: actuating handle. 8: selector lever.

14435-1

(*) : Working load limit



WLL* (t)		0.25	0.5
Standard lifting height** (m)		1.5	
Minimum distance between hooks H (mm)		230	270
Maximum force on handle at WLL* (N)		170	190
Number of strands		1	
Chain dimensions (type T)		4 x 12	5 x 15
Dimensions (mm)	A	100	110
	B	61	68
	C	80	100
	D	160	160
	E	23	25
	F	32	34
	M	36	43
Net weight (kg)		2.3	3.3
Additional weight by lifting m (kg)		0.35	0.56

** : Other possible lengths for both models: 3 m

3. Installation

Before installing the Bravo™ AC hoist make the following checks:

1. Check that the hoist is in good condition.
2. Check that the correct hoist capacity is to be used.
3. Check that the hooks and safety latches are in good condition.
4. Check that the low limit stop is in place.
5. Check that the load chain is correctly fitted.
6. Check that the anchor point is sufficient to take the intended load.

After successfully completing the preliminary checks, install the Bravo™ AC hoist on its anchoring point and perform the following checks:

1. Check that the Bravo™ AC hoist is properly suspended by its suspension hook (item 5, fig. 1) and that the hook safety catch (item 6, fig. 1) is properly closed (see figs 2 and 3).
2. Check that the load chain has not been subjected to any torsion when setting up.
3. Without load, check that the “Up” and “Down” functions operate correctly.
4. When using the hoist with a push suspension trolley, without load, check that the trolley moves freely. If using a geared suspension trolley, without load, check the direction of movement by pulling on the trolley hand chain. The movement should be carried out on a strictly horizontal plane.

After successfully completing these checks, place the load in position and ensure:

1. The anchoring accessory of the load sits fully in the hook and does not prevent the catch from closing correctly (see figs. 2 and 3).
2. The load on the hoist is free to align itself with the machine's anchoring point.

4. Operation

4.1. Operating principle

The Bravo™ AC hoist is operated by means of an actuating handle (item 7, fig. 1) which is moved back and forth by the operator to lift or lower a load, pull a load, or apply tensioning.

4.2. Installing the lifting hook on the load rigging point

If installation of the lifting hook requires adjustment of the chain length, proceed as follows:

1. Make sure that there is no load on the chain.
2. Set the movement selector lever (item 1, fig. 4) to the neutral position “0”.
3. With no load on the machine, turn the load wheel (item 3, fig. 1) anti-clockwise to open the brake; the chain is released.
4. If it is not possible to turn the load wheel put the selector lever in the “D” position (fig. 4) and operate the lever handle whilst exerting some force on the hook side of the chain with your hand. Place the selector lever in the “0” position and pull on the chain, which is thus released, using the low limit stop.
5. Secure the lifting hook to the load (or to a fixed point), or to the point where tension will be applied. Apply a slight tension to the chain by pulling on the chain using the low limit stop.
6. Turn the load wheel clockwise; the brake is closed. The chain is engaged in the hoist.

4.3. Maneuvering the hoist

1. To lift, pull or tension: put the selector lever to “L” position (fig. 4) and operate the lever handle back and forth.
2. To lower or slacken: put the selector lever to “D” position (fig. 4) and operate the lever handle back and forth.

4.4. Important additional instructions

1. When taking the Bravo™ AC hoist out of service ensure that there is no load applied and that the load chain is slack enough to enable the bottom hook to be removed from the load.
2. The selector lever must not be left in the neutral position “0” when a load is suspended or the hoist is tensioned. Make sure that the selector lever is in the desired position and is not located between two positions.
3. Do not attempt to operate the load wheel during any operation or when a load is suspended on the hoist.
4. is not recommended to operate the lever handle at excessive speed as this will lead to an uneven movement of the load. It is recommended to operate the lever handle in a steady movement to prevent any unnecessary jerking of the load.

5. Storage

It is recommended that the hoist be stored hanging so that the load chain does not become tangled. Store the hoist in a dry and weather-proof area. Before storage clean the load chain with a brush and lubricate with machine oil.

6. Load Chain

The good condition of the load chain is a guarantee of safety and at the same time the good operation of the hoist. It is therefore necessary to constantly be aware of the condition of the load chain and to clean and lubricate with machine oil at regular intervals.

The load chain must be examined daily by a competent person when the hoist is being used (see technical data sheet T 2208).

Do not expose the load chain to excessive temperatures, abrasive materials or chemicals.

Protect the chain against all possible damage such as from welding arcs.

7. Maintenance

Periodically, or at least once every year, and in accordance with the safety regulations applicable in the country of use, the hoist must be inspected and tested with load by qualified maintenance personnel.

Periodically, and especially after an intensive use, lubricate the mechanical parts. Never let brake discs receive some lubricant. They have to be kept clean and dry.

Check regularly the condition of the hooks particularly in case of overload. If the distortion between the hook opening indicators is greater than 2mm (fig. 6 distance "M" indicated in the table in chapter 2 "Technical Specifications"), the unit is considered as damaged and must be withdrawn from use.

If any damage is observed, return the Bravo™ AC hoist to a TRACTEL®-approved repair workshop.

8. Emergency Procedure in Case of an Incident

In the event of a blocked chain or any other malfunction of the unit, immediately stop the maneuver without attempting any further actions and call in the necessary qualified personnel to remove the load and intervene on the hoist.

Immediately set up a safety perimeter around the hoist and directly under the load to prevent access by any unauthorized persons.

Return the hoist to a TRACTEL-approved repair agent.

9. Markings

9.1. Standard marking

Two labels are affixed to each Bravo™ AC hoist (fig. 7) and offer the following information:

- item 1: hoist designation,
- item 2: Working Load Limit (WLL*) in kg,
- item 3: dimensions of load chain,
- item 4: CE marking,
- item 5: year of manufacture,
- item 6: symbol indicating that you must read this manual before using the hoist,
- item 7: manufacturer's address and contact data:
TRACTEL SAS France
RD 619 Saint-Hilaire sous-Romilly
BP38 - F-10102 FRANCE
- item 8: Serial No.
- item 9: UKCA marking.

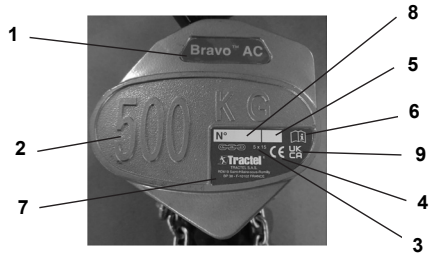


Fig.: 7

Chain lubrication label (fig. 8) fastened on each unit.



Fig. 8

10. Do Not

Do not:

- Use the hoist if it has not been inspected for more than 1 year.
- Use the unit if its chain is bent, worn or severely corroded
- Use the hoist with any chain other than a genuine TRACTEL® chain.
- Use the hoist with an extension on the actuating handle.

- Use the hoist if the load chain is not correctly positioned in the load sheave and in the pulley block.
 - Make any changes to the hoist.
 - Use any parts or components other than genuine TRACTEL® parts and components.
 - Use a hoist which is not in good condition .
 - Use the hoist without first having perform the checks described in this manual.
 - Secure the hoist to a support which is not sufficiently strong.
 - Secure the hoist by any means other than its suspension hook.
 - Clamp the suspension hook.
 - Attempt to lift fixed or blocked loads.
 - Set the selector lever to the "0" position when the chain is tensioned .
 - Use a high pressure cleaner or chemical products (acids, chlorinated products) to clean the hoist.
 - Use the hoist at loads exceeding its working load limit (WLL).
 - Operate the lever in any way other than manually.
 - Use the hoist if the markings are not legible.
 - Use the hoist in an explosive environment (device not compliant with ATEX directive) or in a highly corrosive environment.
 - Use the hoist at temperatures of less than -10°C or greater than $+50^{\circ}\text{C}$.
 - Use the hoist to lift a load when the wind speed is greater than 50 km/h.
 - Use the hoist, even occasionally, to lift or move persons.
 - Use the hoist for operations other than those for which it is intended or using setup diagrams other than those described in this manual.
 - Use the hoist under lighting conditions which are not sufficient to clearly observe the load along its entire path.
 - Use the hoist if any of the safety systems are damaged or not operating correctly.
 - Use the hoist if a hook is bent or shows any abnormal signs of wear.
 - Use the load chain as an electrical ground or electrical conductor.
 - Apply the load to the hook end.
 - To force the lever when the lower end stop blocks the hoist.
 - Force the lever in the load lifting direction when the lifting hook is against the unit
 - Pull sideways on loads to be lifted.
 - Use the Bravo™ AC load chain as a sling.
 - Use the Bravo™ AC hoist as a sling.
 - Raise or lower a load without having a clear view of the entire path.
 - Allow the load to swing under the hoist.
 - Stand under or move around under the load.
 - Allow the Bravo™ AC load chain to rub against an obstacle.
 - Actuate the load wheel during a maneuver or when the chain is tensioned.
- Fasten a load to the low limit stop.
 - Strike the actuating handle.
 - Intervene on the hoist without first having removed the load from the hoist.

Sommaire	Page
Consignes Prioritaires	8
1. Description du Palan	9
2. Spécifications Techniques	10
3. Mise en Service	11
4. Fonctionnement.....	11
4.1. Principe de fonctionnement	11
4.2. Mise en place du crochet de levage au point d'accrochage de la charge.....	11
4.3. Manœuvre	11
4.4. Instructions importantes complémentaires	11
5. Stockage	12
6. Chaîne de Levage	12
7. Entretien	12
8. Procédure D'urgence en Cas D'incident.....	12
9. Marquage	12
9.1. Marquage standard	12
10. Utilisations Fautives Interdites.....	13

Consignes Prioritaires

1. Avant d'installer et d'utiliser cet appareil, il est indispensable, pour sa sécurité d'emploi et son efficacité, de prendre connaissance de la présente notice, d'en avoir compris le sens et les règles décrites, et de se conformer à ses prescriptions. Un exemplaire de cette notice doit être conservé à disposition de tout opérateur. Des exemplaires supplémentaires peuvent être fournis sur demande par TRACTEL®.
2. Ne pas utiliser cet appareil si la plaque fixée sur l'appareil, ou si l'une des inscriptions y figurant et en particulier la C.M.U.*, n'est plus présente ou lisible. Une plaque identique peut être fournie sur demande par TRACTEL®. Elle doit être fixée avant de poursuivre l'utilisation de l'appareil.
3. Avant chaque utilisation de l'appareil, vérifier qu'il est en bon état apparent.
4. Le bon état de la chaîne est une condition essentielle de sécurité et de bon fonctionnement de l'appareil. Le contrôle du bon état de la chaîne doit être effectué à chaque utilisation comme indiqué au chapitre 6 « Chaîne de levage ». Tout appareil dont la chaîne présente des signes de détérioration doit être retiré d'utilisation et retourné à TRACTEL® pour contrôle et remise en état.
5. Avant chaque utilisation de l'appareil, vérifier que la butée de fin de course basse est en place.
6. Pour tout usage professionnel, spécialement si vous devez confier cet appareil à un personnel salarié ou assimilé, conformez-vous à la réglementation du travail applicable au montage, à la maintenance et à l'utilisation de ce matériel, notamment concernant les vérifications exigées : vérification à la première mise en service par l'utilisateur, vérifications périodiques et vérifications après démontage ou réparation.
7. Le contrôle permanent du bon état apparent de l'appareil et son bon entretien font partie des mesures nécessaires à sa sécurité d'emploi. Suivant la nature de l'environnement, surveiller l'absence de corrosion ou d'usure prématurée.
8. Assurez-vous que toute personne à qui vous confiez l'utilisation de cet appareil en connaît le maniement et est apte à assumer toutes les exigences de sécurité.
9. La mise en œuvre de cet appareil doit être conforme à la réglementation et aux normes de sécurité applicables au lieu d'intervention concernant l'installation, l'utilisation, la maintenance et le contrôle des appareils de levage de matériel.
10. Pour tout usage professionnel, cet appareil doit être placé sous la responsabilité d'une personne connaissant la réglementation applicable au lieu d'intervention, et ayant autorité pour en assurer l'application si elle n'en est pas l'opérateur.
11. Toute personne utilisant cet appareil pour la première fois doit vérifier, hors risque, avant d'y appliquer la charge, avec une charge d'essai d'au moins de 10 % de la C.M.U.*, et sur une faible hauteur de levage, qu'elle en a compris toutes les conditions de sécurité et d'efficacité de maniement.
12. La mise en place et la mise en fonctionnement de cet appareil doivent être effectuées dans des conditions assurant la sécurité de l'installateur conformément à la réglementation applicable à sa catégorie.
13. TRACTEL® exclut sa responsabilité pour le fonctionnement de cet appareil dans une configuration de montage autre que celle décrite au chapitre 3 « Mise en service » de la présente notice.
14. L'appareil doit être accroché à un point d'accrochage et à une structure suffisamment résistants pour supporter la charge maximale d'utilisation indiquée sur l'appareil. En cas d'utilisation de plusieurs appareils, la résistance de la structure doit être fonction du nombre d'appareils, suivant leur charge maximale d'utilisation.
15. Cet appareil manuel ne doit jamais être motorisé.
16. L'utilisateur doit s'assurer tout au long de l'utilisation du palan que la chaîne est constamment tendue par la charge, et particulièrement que la charge n'est pas neutralisée temporairement par un obstacle en descente, ce qui pourrait entraîner un risque de rupture de la chaîne lorsque la charge se libère de son obstacle.

(*) : Charge maximale d'utilisation

17. L'utilisateur doit s'assurer tout au long de l'utilisation du palan que la chaîne ne vient pas frotter contre un obstacle.
18. Il est interdit d'utiliser cet appareil pour le levage ou le déplacement de personnes.
19. Cet appareil ne doit jamais être utilisé pour des opérations autres que celles décrites dans cette notice. Il ne doit jamais être utilisé pour une charge supérieure à la charge maximale d'utilisation indiquée sur l'appareil. Il ne doit jamais être utilisé en atmosphère explosive.
20. Ne jamais stationner ou circuler sous la charge. Signaler et interdire l'accès à la zone située sous la charge.
21. Lorsqu'une charge doit être soulevée par plusieurs appareils, l'installation de ceux-ci doit être précédée d'une étude technique par un technicien compétent, puis conduite conformément à cette étude, notamment pour assurer la répartition constante de la charge dans des conditions convenables. TRACTEL® exclut toute responsabilité pour le cas où l'appareil TRACTEL® serait utilisé en combinaison avec d'autres appareils de levage d'autre origine.
22. Durant les opérations de levage, en montée et en descente, l'opérateur doit constamment observer la charge pour notamment prévenir tout risque d'accrochage.
23. La chaîne de levage fait partie intégrante de l'appareil et ne doit être ni démontée, ni réparée, ni modifiée en dehors du contrôle de TRACTEL®. Tout démontage ou modification de la chaîne de levage hors du contrôle de TRACTEL® exclut la responsabilité de TRACTEL® pour les suites de cette intervention.
24. Le crochet de levage fait partie intégrante de l'appareil et ne doit être ni démonté, ni réparé, ni modifié en dehors du contrôle de TRACTEL®. Tout démontage ou modification du crochet de levage hors du contrôle de TRACTEL® exclut la responsabilité de TRACTEL® pour les suites de cette intervention.
25. Toute modification de l'appareil hors du contrôle de TRACTEL®, ou suppression de pièce en faisant partie, exonèrent TRACTEL® de sa responsabilité.
26. Toute opération de démontage de cet appareil, ou toute réparation effectuée hors du contrôle de TRACTEL® exonèrent TRACTEL® de sa responsabilité, spécialement en cas de remplacement de pièces d'origine par des pièces d'une autre provenance.
27. TRACTEL® ne garantit le fonctionnement de l'appareil que s'il est équipé d'une chaîne TRACTEL® d'origine, suivant les spécifications indiquées dans la présente notice.
28. L'appareil doit être vérifié périodiquement par un réparateur agréé comme indiqué dans cette notice.
29. Un carnet d'entretien doit être tenu à jour suivant le modèle situé à la fin de cette notice.
30. Quand l'appareil n'est pas utilisé, il doit être placé hors d'atteinte de personnes non autorisées à l'utiliser.
31. En cas de réforme définitive de l'appareil, mettre l'appareil au rebut dans des conditions interdisant son utilisation. Respecter la réglementation sur la protection de l'environnement en vigueur dans le pays.

1. Description du Palan

Le palan Bravo™ AC est un palan manuel à levier et à chaîne pour lever, tirer ou tendre, à amarrer à un point d'ancrage fixe ou à un chariot mobile. Des informations sur ces chariots porte-palans peuvent être obtenues sur simple demande à TRACTEL®.

Le palan Bravo™ AC est un appareil robuste, fabriqué avec des matériaux de grande qualité. Il est compact, portable et facile à utiliser. Son poids a été réduit grâce notamment à l'emploi de carters en aluminium.

Le palan Bravo™ AC est fourni équipé d'une chaîne de levage (rep. 1, fig. 1) d'une hauteur standard de levée de 1,50 m. La chaîne de levage est constituée d'un seul brin avec à son extrémité un crochet de levage (rep. 2, fig. 1). L'extrémité libre de la chaîne est équipée d'une butée de fin de course basse (rep. 4, fig. 1).

ATTENTION : il est interdit d'accrocher une charge à la butée de fin de course basse.

Un dispositif de débrayage permet de régler la chaîne rapidement et aisément à l'aide de la butée de fin de course. Cette opération doit être effectuée sans charge.

Le palan Bravo™ AC est conforme à la directive Européenne 2006/42/CE et le règlement de 2008 sur la fourniture de machines (sécurité) (SI 2008/1597) du Royaume-Uni et est dimensionné pour garantir une résistance mécanique minimum de 4 x C.M.U.*.

Le palan Bravo™ AC est conçu et construit de manière à supporter les épreuves dynamique à 1.1 x C.M.U.* et statique à 1.5 x C.M.U.*.

Description d'une livraison standard :

- le palan équipé de sa chaîne de levage,
- son certificat de conformité CE et UKCA,
- la présente notice,
- une sacoche pour le transport et son rangement.

L'ensemble est livré dans un emballage cartonné.

2. Spécifications Techniques

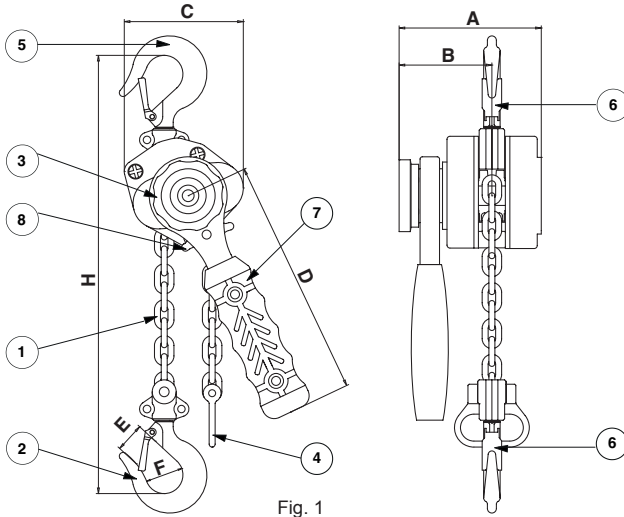
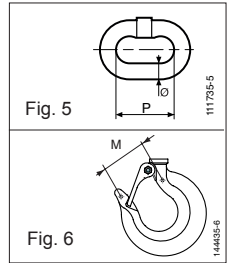
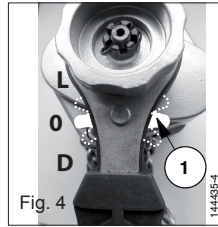
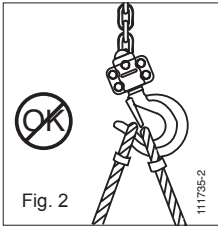


Fig. 1

1 : chaîne de levage. 2 : crochet de levage. 3 : volant. 4 : butée de fin de course basse. 5 : crochet de suspension. 6 : linguet de sécurité. 7 : levier. 8 : manette du sélecteur.

14435-1

(*) : Charge maximale d'utilisation



C.M.U.* (t)	0,25	0,5
Hauteur de levée standard** (m)	1,5	
Distance minimum entre crochets H (mm)	230	270
Effort maximal sur le levier à la C.M.U.* (N)	170	190
Nombre de brins	1	
Dimensions chaîne Ø x P (voir fig. 5)	4 x 12	5 x 15
Dimensions (mm)	A	100
	B	61
	C	80
	D	160
	E	23
	F	32
	M	36
Poids net (kg)	2,3	3,3
Poids supplémentaire par m. de levée (kg)	0,35	0,56

** : autres courses possibles pour les 2 modèles : 3 m

3. Mise en Service

Avant la mise en service du palan Bravo™ AC, contrôler les points suivants :

1. Vérifier que le palan est en bon état apparent.
2. Vérifier que le palan a la capacité nécessaire pour l'utilisation projetée.
3. Vérifier le bon état des crochets et des linguets de sécurité.
4. Vérifier que la butée de fin de course basse est présente.
5. Vérifier que la chaîne de levage est correctement montée.
6. S'assurer que le point d'accrochage du palan peut supporter la charge en toute sécurité.

Après avoir procédé à ces vérifications préalables et constaté leur conformité, installer le palan Bravo™ AC à son point d'accrochage et réaliser les vérifications suivantes :

1. Vérifier que le palan Bravo™ AC est correctement suspendu à son crochet de suspension (rep. 5, fig. 1) et que le linguet de sécurité du crochet (rep. 6, fig. 1) est bien fermé (voir figures 2 et 3).
2. Vérifier que la chaîne de levage n'a pas subi de torsion à la mise en place.
3. Sans charge, vérifier les fonctions « Montée » et « Descente ».
4. En cas d'utilisation d'un chariot porte-palan avec avance par poussée, vérifier, sans charge, que le chariot se déplace aisément. Dans le cas d'un chariot avec avance par chaîne de manœuvre, vérifier, sans charge, la direction du déplacement du chariot. Le déplacement doit s'effectuer sur un plan strictement horizontal.

Après avoir procédé à ces vérifications et constaté leur conformité, mettre en place la charge et s'assurer :

1. que l'accessoire d'amarrage de la charge porte à fond de crochet et n'empêche pas la fermeture du linguet de sécurité (voir fig. 2 et 3).
2. du libre alignement de la charge de l'appareil et du point d'accrochage de l'appareil.

4. Fonctionnement

4.1. Principe de fonctionnement

Le palan Bravo™ AC est manœuvré au moyen d'un levier (rep. 7, fig. 1), actionné par l'opérateur en mouvement de va-et-vient pour lever ou descendre une charge, tirer ou appliquer une tension.

4.2. Mise en place du crochet de levage au point d'accrochage de la charge

Si la mise en place du crochet de levage requiert l'ajustement de la longueur de la chaîne, on procède de la manière suivante :

1. S'assurer que la chaîne est hors charge.
2. Placer la manette du sélecteur (rep. 1 fig. 4) de mouvement en position neutre « 0 ».
3. Hors charge, faire tourner le volant (rep. 3, fig. 1) dans le sens inverse des aiguilles d'une montre pour ouvrir le frein ; la chaîne est libre.
4. Si le volant est bloqué, placer le sélecteur sur la position « D » (fig. 4) et tirer manuellement vers le bas le brin de chaîne équipé du crochet. Replacer le sélecteur sur la position « 0 » et tirer sur la chaîne ainsi libérée à l'aide de la butée de fin de course basse.
5. Fixer le crochet de levage à la charge (ou au point fixe), ou au point d'application de la tension. Mettre la chaîne sous tension légère en tirant sur la chaîne à l'aide de la butée de fin de course basse.
6. Faire tourner le volant dans le sens des aiguilles d'une montre ; le frein est à nouveau fermé. La chaîne est alors en prise dans le palan.

4.3. Manœuvre

1. Pour lever, tirer ou tendre, placer la manette du sélecteur dans la position « L » (fig. 4) et actionner le levier en va-et-vient.
2. Pour descendre ou relâcher, placer la manette du sélecteur dans la position « D » (fig. 4) et manœuvrer le levier en va-et-vient.

4.4. Instructions importantes complémentaires

1. Lors de la dépose du palan Bravo™ AC, s'assurer qu'aucune charge n'y est appliquée et que la chaîne de levage a un mou suffisant pour dégager la charge du crochet.
2. La manette du sélecteur ne doit pas être laissée en position neutre « 0 » lorsqu'une charge y est suspendue ou que le palan est sous tension. S'assurer que le sélecteur est bien à la position voulue et qu'il ne se trouve pas entre deux positions.
3. Ne pas tenter d'actionner le volant pendant une manœuvre ou lorsqu'une charge est appliquée.
4. Il n'est pas recommandé de manœuvrer ce levier à grande vitesse, en raison des à-coups pouvant survenir en levant ou en descendant la charge. Il convient plutôt de tirer le levier de façon régulière, pour éviter un balancement de la charge.

5. Stockage

Il est recommandé de stocker le palan en position suspendue, pour éviter d'emmêler la chaîne. Le lieu de stockage doit être sec et à l'abri des intempéries. Avant le stockage, brosser la chaîne et lubrifiez-la à l'huile de machine.

6. Chaîne de Levage

Le bon état de la chaîne de levage est une garantie pour la sécurité et le fonctionnement du palan. Il est indispensable de veiller constamment au bon état de la chaîne, de la nettoyer et de la lubrifier régulièrement à l'huile de machine.

La chaîne de levage doit être examinée quotidiennement par du personnel compétent, pendant l'utilisation de l'appareil (suivant Fiche Technique T2208).

Ne pas exposer la chaîne à des températures excessives, à des matières abrasives ou chimiques.

Protéger la chaîne contre toutes les agressions possibles comme les arcs de soudure.

7. Entretien

Périodiquement, et au moins une fois l'an, et selon la réglementation de sécurité en vigueur du pays d'utilisation de l'appareil, le palan doit être contrôlé et testé en charge par du personnel de maintenance agréé.

Périodiquement, et particulièrement après un usage intensif, lubrifier les parties mécaniques. Les disques de frein ne doivent jamais recevoir de lubrifiant mais doivent être conservés propres et secs.

Vérifier régulièrement l'état des crochets notamment en cas de surcharge. Si la déformation entre les témoins d'ouvertures du crochet est supérieure à 2 mm (fig. 6, distance « M » indiquée dans le tableau du chapitre 2 « Spécifications techniques »), l'appareil est considéré comme endommagé et doit être placé hors utilisation.

En cas de tout endommagement, retourner le palan Bravo™ AC à l'atelier de réparations agréé par TRACTEL®.

8. Procédure D'urgence en Cas D'incident

En cas de blocage de la chaîne ou de tout autre dysfonctionnement de l'appareil, arrêter immédiatement

la manœuvre sans insister, prévenir le personnel compétent en vue de procéder à une opération de dépose de la charge et d'intervenir sur l'appareil.

Etablir impérativement un périmètre de sécurité autour de l'appareil et à l'aplomb de la charge afin d'éviter l'accès à toute personne non autorisée.

Retourner l'appareil à un réparateur agréé TRACTEL®.

9. Marquage

9.1. Marquage standard

Deux étiquettes sont collées sur chaque palan Bravo™ AC (fig. 7) et mentionnent les informations suivantes :

- rep. 1 : désignation du palan,
- rep. 2 : Charge Maximale d'Utilisation (C.M.U.*) en kg,
- rep. 3 : dimensions de la chaîne de levage,
- rep. 4 : le marquage CE,
- rep. 5 : année de fabrication,
- rep. 6 : symbole mentionnant l'obligation de lire la présente notice avant d'utiliser le palan,
- rep. 7 : adresse et coordonnées du fabricant :
TRACTEL SAS France
RD 619 Saint-Hilaire-sous-Romilly
BP38 - F-10102 FRANCE
- rep. 8 : N° de série,
- rep. 9 : le marquage UKCA.

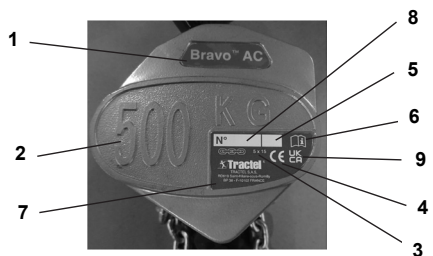


Fig. 7

Étiquette (fig. 8) de lubrification de la chaîne collée sur chaque appareil.



Fig. 8

10. Utilisations Fautives Interdites

Il est interdit :

- D'utiliser cet appareil s'il n'a pas été vérifié depuis plus d'un an.
- D'utiliser cet appareil si sa chaîne est déformée, usée ou fortement corrodée.
- D'utiliser cet appareil avec une autre chaîne que celle d'origine TRACTEL®.
- D'utiliser cet appareil avec une rallonge sur le levier.
- D'utiliser l'appareil si la chaîne de levage n'est pas correctement positionnée dans la noix de levage et dans le moufle.
- D'effectuer une quelconque modification de l'appareil.
- D'employer des pièces ou composants autres que les pièces ou composants d'origine TRACTEL®.
- D'utiliser un appareil en mauvais état.
- D'utiliser cet appareil sans avoir effectué les vérifications décrites dans la présente notice.
- De fixer cet appareil sur un support de résistance insuffisante.
- De fixer cet appareil par tout autre moyen que son crochet de suspension.
- De brider le crochet de suspension.
- De tenter de lever des charges fixes ou bloquées.
- De positionner la manette du sélecteur en position « 0 » lorsque la chaîne est sous tension.
- D'utiliser un appareil de nettoyage à haute pression, ou des produits chimiques (acides, produits chlorés) pour nettoyer l'appareil.
- D'utiliser cet appareil au-delà de sa charge maximale d'utilisation.
- De manoeuvrer le levier par tout autre moyen que manuel.
- D'utiliser l'appareil si le marquage n'est pas lisible.
- D'utiliser cet appareil dans un environnement explosif (appareil non conforme à la directive ATEX) ou fortement corrosif.
- D'utiliser cet appareil si la température est inférieure à -10°C ou supérieure à $+50^{\circ}\text{C}$.
- D'utiliser cet appareil en levage de charge lorsque la vitesse du vent est supérieure à 50 km/h.
- D'utiliser cet appareil, même occasionnellement, pour le levage ou le déplacement de personnes.
- D'utiliser cet appareil pour d'autres opérations que celles auxquelles il est destiné ou suivant des schémas de montage autres que ceux décrits dans la présente notice.
- D'utiliser cet appareil si les conditions d'éclairages ne sont pas suffisantes pour bien voir la charge sur tout son trajet.
- D'utiliser cet appareil si l'un des systèmes de sécurité est endommagé ou non fonctionnel.
- D'utiliser cet appareil si l'un des crochets est déformé ou présente une usure anormale.
- D'utiliser la chaîne de levage comme masse ou comme conducteur électrique.
- D'appliquer la charge sur l'extrémité du crochet.
- De forcer sur le levier quand la butée de fin de course basse bloque le palan.
- De forcer sur le levier dans le sens de la montée de charge quand le crochet de levage est contre l'appareil.
- D'exercer une traction latérale sur les charges à lever.
- D'utiliser la chaîne de levage Bravo™ AC comme élingue.
- D'utiliser le palan Bravo™ AC comme élingue.
- De monter et descendre la charge sans l'avoir à vue sur tout son trajet.
- De laisser la charge se balancer sous le palan.
- De stationner ou se déplacer sous la charge.
- De laisser la chaîne de levage Bravo™ AC frotter sur un obstacle.
- D'actionner le volant pendant une manoeuvre ou lorsque la chaîne est sous tension.
- D'accrocher une charge à la butée de fin de course basse.
- De donner des coups sur le levier.
- D'intervenir sur l'appareil sans avoir déposé la charge appliquée sur l'appareil.

FR

Inhalt	Seite
Allgemeine Warnhinweise	14
1. Gerätebeschreibung	15
2. Technische Daten	16
3. Befestigung von Gerät und Last	17
4. Betrieb	17
4.1. Funktionsprinzip	17
4.2. Befestigung des lasthakens am anschlagpunkt der last	17
4.3. Bedienung	17
4.4. Wichtige zusätzliche anweisungen	17
5. Aufbewahrung	18
6. Lastkette	18
7. Instandhaltung	18
8. Verfahren für den Notfall	18
9. Kennzeichnung	18
9.1. Standardkennzeichnung	18
10. Verbotene Fehlerhafte Anwendungen	19

Allgemeine Warnhinweise

1. Vor der Installation und Benutzung dieses Gerätes müssen Sie zur Gewährleistung der Betriebssicherheit und einer optimalen Effizienz der Ausrüstung unbedingt die vorliegende Anleitung zur Kenntnis nehmen, deren Sinn und Regeln verstanden haben, und die darin enthaltenen Vorschriften einhalten. Ein Exemplar dieser Anleitung muß allen Benutzern zur Verfügung gestellt werden. Auf Anfrage sind zusätzliche Exemplare bei TRACTEL® erhältlich.
2. Benutzen Sie das Gerät nicht, wenn das am Gerät befestigte Schild oder dessen Beschriftung und insbesondere die Tragfähigkeit fehlt oder nicht lesbar ist. Auf Anfrage ist ein identisches Schild bei TRACTEL® erhältlich. Es muß vor dem weiteren Betrieb des Gerätes angebracht werden.
3. Vor jeder Benutzung des Gerätes sicherstellen, daß sich das Gerät in gutem Zustand befindet.
4. Der einwandfreie Zustand der Kette ist eine Grundvoraussetzung für die Arbeits- und Funktionssicherheit des Gerätes. Die Prüfung des einwandfreien Kettenzustands muß bei jeder Inbetriebnahme gemäß dem Kapitel 6 „Lastkette“ erfolgen. Jedes Gerät, dessen Kette Anzeichen von Beschädigung aufweist, muß außer Betrieb genommen und zur Prüfung und Reparatur an die TRACTEL® geschickt werden.

5. Vor jeder Benutzung des Gerätes sicherstellen, daß die Auslaufsicherung angebracht ist.
6. Bei gewerblicher Nutzung, insbesondere wenn Sie das Gerät einer angestellten oder gleichgestellten Person anvertrauen müssen, müssen Sie die geltenden Arbeitsschutzbestimmungen hinsichtlich Montage, Wartung und Benutzung der Ausrüstung einhalten. Dies gilt vor allem in Bezug auf die vorgeschriebenen Prüfungen: Prüfung bei der ersten Inbetriebnahme durch den Benutzer, regelmäßige Prüfungen und Prüfungen nach Demontage oder Reparatur.
7. Die ständige Prüfung des einwandfreien Gerätezustands und die ordnungsgemäße Wartung sind zur Gewährleistung der Betriebssicherheit unbedingt erforderlich. Je nach Witterungsverhältnissen auf Korrosion oder frühzeitigen Verschleiß prüfen.
8. Stellen Sie sicher, daß alle Personen, die Sie mit der Benutzung des Gerätes beauftragen, mit dessen Handhabung vertraut und in der Lage sind, alle geltenden Sicherheitsvorschriften einzuhalten.
9. Die Handhabung des Gerätes muß in Übereinstimmung mit den für die Installation, Benutzung, Wartung und Prüfung von Materialhebezeugen am Einsatzort geltenden Vorschriften und Sicherheitsnormen erfolgen.
10. Bei gewerblicher Nutzung muß das Gerät einer Person anvertraut werden, die die am Einsatzort geltenden Vorschriften kennt und über die notwendige Autorität verfügt, um deren Einhaltung sicherzustellen, wenn sie das Gerät nicht selbst benutzt.
11. Jeder, der das Gerät zum ersten Mal benutzt, muß vor dem Anlegen der Last risikofrei bei einer geringen Hubhöhe mit einer Prüflast von mindestens 10 % der Tragfähigkeit sicherstellen, daß er die sichere und effiziente Handhabung völlig verstanden hat.
12. Die Anbringung und Inbetriebnahme des Gerätes muß unter Bedingungen erfolgen, die die Sicherheit des Installateurs gemäß den für seine Kategorie geltenden Vorschriften garantieren.
13. TRACTEL® lehnt jede Haftung für die Benutzung des Gerätes in einer anderen als der im Kapitel 3 „Befestigung von Gerät und Last“ in dieser Anleitung beschriebenen Montagekonfiguration ab.
14. Das Gerät muß an einem Anschlagpunkt und an einer Struktur angeschlagen werden, deren Tragfähigkeit den auf dem Gerät gemachten Angaben entspricht. Beim Einsatz mehrerer Geräte hängt die notwendige Tragfähigkeit der Struktur von der Anzahl der Geräte und deren Tragfähigkeit ab.
15. Dieses handbetriebene Gerät darf nie motorisch angetrieben werden.
16. Der Benutzer muß während des gesamten Betriebs des Hebelzugs sicherstellen, daß die Kette ständig von der Last gespannt wird und insbesondere, daß die Last beim Senken nicht vorübergehend von



- einem Hindernis blockiert wird, wobei die Gefahr besteht, daß die Kette beim Lösen der Last vom Hindernis bricht.
17. Der Benutzer muß während des gesamten Betriebs des Hebelzugs sicherstellen, daß die Kette nicht auf einem Hindernis reibt.
 18. Es ist verboten, das Gerät zum Heben oder Transportieren von Personen zu verwenden.
 19. Das Gerät darf nie für andere als die in dieser Anleitung beschriebenen Arbeiten verwendet werden. Es darf nie für Lasten benutzt werden, die die auf dem Gerät angegebene Tragfähigkeit übersteigen. Es darf nicht in explosionsgefährdeter Umgebung eingesetzt werden.
 20. Der Aufenthalt bzw. die Bewegung unter der Last sind verboten. Der Bereich unter der Last muß gekennzeichnet und abgesperrt werden.
 21. Wenn eine Last von mehreren Geräten gehoben werden muß, muß die Installation der Geräte nach einer zuvor von einem Sachkundigen durchgeführten technischen Studie durchgeführt werden, insbesondere um eine gleichmäßige Lastverteilung unter optimalen Bedingungen zu gewährleisten. TRACTEL® lehnt bei Benutzung des TRACTEL®-Gerätes in Verbindung mit Hebezeugen anderer Herkunft jede Haftung ab.
 22. Während der Hubarbeiten muß der Benutzer beim Heben und Senken ständig die Last beobachten, um insbesondere die Gefahr des Hängenbleibens auszuschließen.
 23. Die Lastkette ist fester Bestandteil des Gerätes und darf außerhalb der Kontrolle von TRACTEL® weder demontiert, noch repariert oder geändert werden. Jede Demontage oder Änderung der Lastkette außerhalb der Kontrolle von TRACTEL® befreit die Firma TRACTEL® von ihrer Haftung für die Folgen dieser Maßnahme.
 24. Der Lashaken ist fester Bestandteil des Gerätes und darf außerhalb der Kontrolle von TRACTEL® weder demontiert, noch repariert oder geändert werden. Jede Demontage oder Änderung des Lashakens außerhalb der Kontrolle von TRACTEL® befreit die Firma TRACTEL® von ihrer Haftung für die Folgen dieser Maßnahme.
 25. Jede Änderung des Gerätes außerhalb der Kontrolle von TRACTEL® und jedes Entfernen eines Bauteils befreien die TRACTEL® von ihrer Haftung.
 26. Jede Demontage des Gerätes bzw. jede Reparatur außerhalb der Kontrolle von TRACTEL® befreit die Firma TRACTEL® von ihrer Haftung, insbesondere beim Ersatz von Originalteilen durch Teile anderer Herkunft.
 27. TRACTEL® garantiert die Funktionsfähigkeit des Gerätes nur, wenn es mit einer Original-TRACTEL®-Kette gemäß den Angaben dieser Anleitung ausgestattet ist.
 28. Das Gerät muß regelmäßig von einem von der TRACTEL® zugelassenen Sachkundigen gemäß dieser Anleitung geprüft werden.
 29. Ein Wartungsheft gemäß dem Modell am Ende dieser Anleitung muß auf dem neusten Stand gehalten werden.
 30. Wenn das Gerät nicht benutzt wird, muß es von unbefugten Personen ferngehalten werden.
 31. Bei einer endgültigen Außerbetriebnahme muß das Gerät so ausgemustert werden, daß seine Benutzung unmöglich ist. Die im Land geltenden Umweltschutzvorschriften beachten.

1. Gerätebeschreibung

Der Bravo™ AC Hebelzug ist ein tragbarer Hand-Hebelzug zum Heben, Ziehen oder Abspannen, der an einem festen Anschlagpunkt oder einer Laufkatze eingesetzt werden kann. Informationen über Laufkatzen erhalten Sie von der TRACTEL®.

Hergestellt aus hochwertigen Materialien ist der Bravo™ AC Hebelzug ein sehr robustes Gerät. Die Ausrüstung ist kompakt, tragbar und problemlos einsetzbar. Das Gewicht wurde insbesondere durch die Verwendung von Aluminiumgehäusen verringert.

Der Bravo™ AC Hebelzug wird mit einer Lastkette (Pos. 1, Abb. 1) für eine Standardhubhöhe von 1,5 Metern geliefert. Die Lastkette besteht aus einem einzigen Kettenstrang mit einem Lashaken am Ende (Pos. 2, Abb. 1). Die Lastkette besteht aus einem einzigen Strang mit einem Lashaken am Ende (Pos. 2, Abb. 1).

Das freie Kettenende ist mit einer Auslaufsicherung ausgestattet (Pos. 4, Abb. 1).

ACHTUNG: Es ist verboten, eine Last an der Auslaufsicherung anzuschlagen.

Eine Freischaltung der Kette erlaubt ein schnelles und einfaches Anpassen der Kettenlänge an die Einsatzbedingungen mit Hilfe der Auslaufsicherung. Diese Maßnahme muß lastfrei durchgeführt werden.

Der Bravo™ AC Hebelzug entspricht der europäischen Richtlinie 2006/42/CE und The Supply of Machinery (Safety) Regulations 2008 (SI 2008/1597) of the United Kingdom und garantiert eine mechanische Festigkeit von mindestens 4 x Tragfähigkeit*.

Der Bravo™ AC Hebelzug wurde so ausgelegt und konstruiert, daß er einer dynamischen Belastung von 1.1 x Tragfähigkeit und einer statischen Belastung von 1.5 x Tragfähigkeit standhält.

Beschreibung einer Standardlieferung:

- ein Hebelzug mit Lastkette,
- die CE- und UKCA-Konformitätsbescheinigung
- das vorliegende Handbuch
- eine Tragtasche für Transport und Lagerung

Die gesamte Ausrüstung wird in einer Kartonverpackung angeliefert.

2. Technische Daten

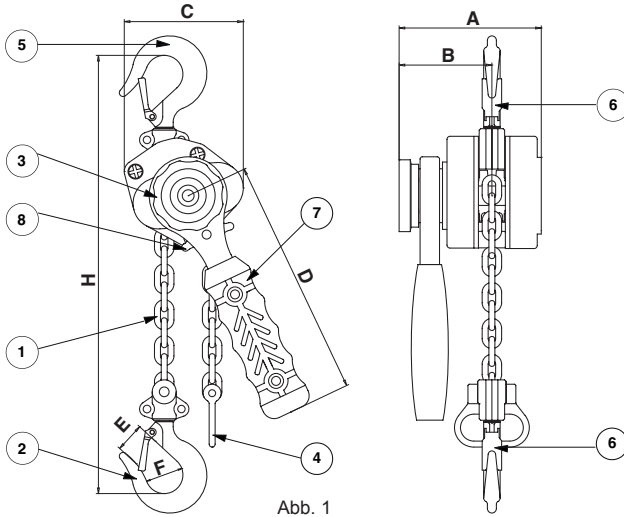


Abb. 1

1: Lastkette. 2: Lasthaken. 3: Rad. 4: Auslaufsicung.
5: Gerätehaken. 6: Sicherheitsklappe. 7: Handhebel. 8: Schalthebel.

144435-1

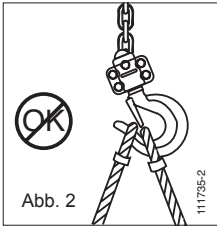


Abb. 2

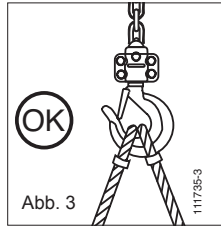


Abb. 3

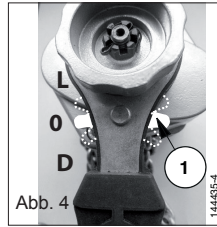


Abb. 4

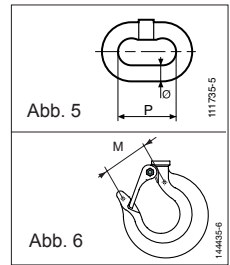


Abb. 5

Abb. 6

TRAGFÄHIGKEIT (t)		0,25	0,5
Standardhubhöhe* (m)		1,5	
Minimaler Hakenabstand H (mm)		230	270
Max. Hebeldruck bei Vollast (N)		170	190
Anzahl Lastkettenstränge		1	
Dimensions chaîne Ø x P (voir fig. 5)		4 x 12	5 x 15
Dimensions (mm)	A	100	110
	B	61	68
	C	80	100
	D	160	160
	E	23	25
	F	32	34
	M	36	43
Nettogewicht (kg)		2,3	3,3
Gewicht pro 1 m Mehrhub (kg)		0,35	0,56

*: Andere mögliche Förderlänge für die beiden Modelle: 3 m

3. Befestigung von Gerät und Last

Vor dem Anschlagen des Bravo™ AC folgende Kontrollen vornehmen:

1. Überprüfen, daß sich der Hebelzug in gutem Zustand befindet.
2. Sicherstellen, daß ein Hebelzug mit ausreichender Tragfähigkeit verwendet wird.
3. Den einwandfreien Zustand von Haken und Sicherheitsklappen prüfen.
4. Sicherstellen, daß die Auslaufsicherung angebracht ist.
5. Überprüfen, daß die Lastkette korrekt eingelegt ist.
6. Sicherstellen, daß der Anschlagpunkt für die Last ausreichend tragfähig ist.

Nach der erfolgreichen Durchführung der vorherigen Kontrollen den Bravo™ AC Hebelzug am Anschlagpunkt befestigen und die folgenden Kontrollen durchführen:

1. Überprüfen, daß der Bravo™ AC Hebelzug korrekt am Gerätehaken (Pos. 5, Abb. 1) angeschlagen und die Sicherungsklappe des Gerätehakens (Pos. 6, Abb. 1) geschlossen ist (siehe Abb. 2 und 3).
2. Sicherstellen, dass die Lastkette bei der Anbringung des Gerätes nicht verdreht wurde.
3. Ohne Last überprüfen, daß „Heben“ und „Senken“ korrekt funktionieren.
4. Bei Verwendung einer Laufkatze ohne Last überprüfen, daß die Laufkatze sich leichtgängig verschieben läßt. Bei Benutzung einer Haspelkatze ohne Last überprüfen, wie sich die Haspelkatze beim Ziehen an der Handkette bewegt. Die Bewegung muß in der strengen Horizontalen erfolgen.

Nach der erfolgreichen Durchführung dieser Kontrollen die Last anschlagen und Folgendes sicherstellen:

1. Das Anschlagmittel für die Last muß im Hakengrund liegen und darf das Schließen der Sicherheitsklappe nicht behindern (siehe Abb. 2 und 3).
2. Die Last muß frei beweglich sein und sich in gerader Linie zum Anschlagpunkt des Gerätes ausrichten können.

4. Betrieb

4.1. Funktionsprinzip

Der Bravo™ AC Hebelzug wird durch einen Handhebel (Pos. 7, Abb. 1) betrieben, der vom Bediener zum Heben oder Senken einer Last hinund herbewegt wird. Alternativ kann der Hebelzug auch zum Ziehen einer Last oder zum Spannen verwendet werden.

4.2. Befestigung des Lasthakens am anschlagpunkt der last

Wenn die Befestigung des Lasthakens die Anpassung der Kettenlänge erforderlich macht, wie folgt vorgehen:

1. Sicherstellen, daß die Kette unbelastet ist.
2. Schalthebel (Pos. 1, Abb. 4) in Position „0“ bringen.
3. Bei unbelastetem Gerät zum Öffnen der Bremse das Handrad (Pos. 3, Abb. 1) gegen den Uhrzeigersinn nach links drehen; die Kette ist freigeschaltet.
4. Wenn sich das Lastkettenrad nicht drehen läßt, den Wahlhebel in die „D“-Position drehen. Dann den Handhebel betätigen und gleichzeitig die Kette an der Hakenseite kräftig nach unten ziehen. Jetzt den Wahlhebel in die Neutralstellung „0“ drehen und mit Hilfe der Auslaufsicherung am freien Kettenende ziehen. Die Kette wird frei und läßt sich durchziehen.
5. Entweder den Gerätehaken am Festpunkt und den Lasthaken an der Last befestigen, oder den Gerätehaken an der Last und den Lasthaken am Festpunkt befestigen. Dann die Lastkette mit Hilfe der Auslaufsicherung von Hand auf Spannung ziehen.
6. Handrad im Uhrzeigersinn nach rechts drehen die Bremse ist geschlossen. Die Kette wird vom Antrieb gehalten.

4.3. Bedienung

1. Zum Heben, Ziehen oder Spannen Schalthebel auf „L“ (Abb. 4) stellen, und den Handhebel gleichmäßig hinund herbewegen.
2. Zum Senken oder Nachlassen Schalthebel auf „D“ (Abb. 4) stellen, und den Handhebel gleichmäßig hinund herbewegen.

4.4. Wichtige zusätzliche anweisungen

1. Vor Außerbetriebnahme des Bravo™ AC Hebelzugs sicherstellen, daß die Last sicher auf dem Boden abgesetzt ist. Die Lastkette muß schlaff genug sein, um den Lasthaken von der Last zu lösen.
2. Der Schalthebel darf nicht in der Stellung „0“ gelassen werden, wenn eine Last angehängt wird oder der Hebelzug unter Spannung steht. Sicherstellen, daß sich der Schalthebel in der gewünschten Stellung und nicht zwischen zwei Stellungen befindet.
3. Während des Betriebs oder wenn eine Last angehängt ist, nicht das Handrad benutzen.
4. Es wird nicht empfohlen, den Handhebel ruckartig zu betätigen, da dies zu einer ungleichmäßigen Bewegung der Last führt. Es wird empfohlen, den Handhebel gleichmäßig zu betätigen, um ein unnötiges Wippen der Last zu vermeiden.

5. Aufbewahrung

Den Hebelzug nach Möglichkeit aufhängen, damit sich die Lastkettenstränge nicht verdrehen. Der Aufbewahrungsort sollte trocken und vor Witterungseinflüssen geschützt sein. Vor der Aufbewahrung die Lastkette mit einer Bürste reinigen und mit Maschinenol schmieren.

6. Lastkette

Ein einwandfreier Zustand der Lastkette ist Voraussetzung für die Arbeits- und Funktionssicherheit des Hebelzugs. Es ist deshalb unerlässlich, den Zustand der Lastkette regelmäßig zu kontrollieren und sie in regelmäßigen Abständen zu reinigen und zu schmieren.

Sie ist arbeitstäglich zu untersuchen, um jegliche Spuren von Abnutzung oder Verformung zu entdecken (gemäß Datenblatt T 2208). Bei augenfälligen Schäden ist die Lastkette von einem Sachkundigen prüfen zu lassen.

Die Lastkette keinen extremen Temperaturen oder Kontakt mit scharfkantigen Materialien oder chemisch aggressiven Stoffen aussetzen.

Die Kette vor allen möglichen Aggressionen wie z. B. Schweißlichtbögen schützen.

7. Instandhaltung

Bravo™ AC Hebelzüge müssen regelmäßig entsprechend den im Einsatzland geltenden Sicherheitsbestimmungen und mindestens einmal jährlich in eine autorisierte Hebezeugwerkstatt zur Wartung und Reparatur geschickt werden.

Regelmäßig den Zustand der Haken mit dem Öffnungsanzeiger der Haken überprüfen, insbesondere bei Überlast. Wenn die Verformung zwischen den Hakenöffnungen mehr als 2 mm beträgt (Abb. 6, Abstand „M“ laut der Tabelle in Kapitel 2 „Technische Spezifikationen“), ist das Gerät als beschädigt zu betrachten und muss außer Betrieb genommen werden.

Wenn Schäden festgestellt werden, muß der Bravo™ AC Hebelzug zur Reparatur in eine von TRACTEL® autorisierte Hebezeugwerkstatt geschickt werden.

8. Verfahren für den Notfall

Bei einer Blockierung der Kette oder anderen Funktionsstörung des Gerätes die Betätigung sofort einstellen, ohne weitere Versuche zu unternehmen,

und einen Sachkundigen heranziehen, der die Last abnimmt und sich um das Gerät kümmert.

Unbedingt einen Sicherheitsbereich um das Gerät herum und senkrecht unter der Last einrichten, um den Zutritt unbefugter Personen zu verhindern.

Das Gerät an einen von TRACTEL® autorisierten Sachkundigen schicken.

9. Kennzeichnung

9.1. Standardkennzeichnung

Zwei Schilder sind auf jeder der Hebelzüge Bravo™ AC angebracht (Abb. 7). Sie liefern die folgenden Informationen:

- Pos. 1: Bezeichnung des Flaschenzugs,
- Pos. 2: Tragfähigkeit in kg,
- Pos. 3: Abmessungen der Lastkette,
- Pos. 4: CE-Kennzeichnung,
- Pos. 5: Herstellungsjahr,
- Pos. 6: Hinweis auf die Verpflichtung, vor der Benutzung des Flaschenzugs diese Anleitung zu lesen,
- Pos. 7: Adresse des Herstellers
TRACTEL SAS France
RD 619 Saint-Hilaire sous-Romilly
BP38 F-10102 FRANCE
- Pos. 8: Serien-Nr.
- Pos. 9: UKCA-Kennzeichen.

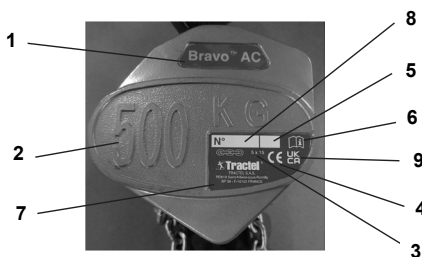


Abb. 7

Etikett (Abb. 8) der Schmierung der Kette ist auf jedem Gerät angebracht.



Abb. 8

10. Verbotene Fehlerhafte Anwendungen

Folgendes ist verboten:

- Benutzung eines Gerätes, das seit über einem Jahr nicht überprüft wurde.
- Benutzung eines Gerätes, dessen Kette verformt, verschlissen oder stark korrodiert ist.
- Benutzung des Gerätes mit einer anderen als der Original-TRACTEL®-Kette.
- Benutzung des Gerätes mit einer Verlängerung des Handhebels.
- Benutzung eines Gerätes, dessen Lastkette nicht korrekt im Kettenrad und in der Hakenflasche platziert ist.
- Jede Änderung des Gerätes.
- Benutzung anderer Teile oder Bauteile als der TRACTEL®-Originalteile oder -bauteile.
- Benutzung eines Gerätes in schlechtem Zustand.
- Benutzung des Gerätes ohne Durchführung der in dieser Anleitung beschriebenen Prüfungen.
- Befestigung des Gerätes an einer Struktur mit ungenügender Tragfähigkeit.
- Befestigung des Gerätes mit anderen Mitteln als dem Gerätehaken.
- Anflanschen des Gerätehakens.
- Versuch, feste oder blockierte Lasten zu heben.
- Schalthebel bei belasteter Kette in Position „0“ bringen.
- Benutzung eines Hochdruckreinigungsgerätes oder von Chemikalien (Säuren, chlorhaltige Produkte) zur Reinigung des Gerätes.
- Benutzung des Gerätes über seine Tragfähigkeit hinaus.
- Betätigung des Handhebels mit anderen Mitteln als von Hand.
- Benutzung des Gerätes, wenn die Kennzeichnung nicht lesbar ist.
- Benutzung des Gerätes in explosionsgefährdeten Umgebungen (Gerät erfüllt nicht die ATEX-Richtlinie) oder stark korrosiven Umgebungen.
- Benutzung des Gerätes bei Temperaturen unter -10°C oder über +50°C.
- Benutzung des Gerätes zum Heben einer Last bei Windgeschwindigkeiten von über 50 km/h.
- Benutzung des Gerätes, selbst gelegentlich, zum Heben oder Transportieren von Personen.
- Benutzung des Gerätes zu anderen Zwecken als jenen, für die es vorgesehen ist, oder nach anderen als den in dieser Anleitung beschriebenen Montageplänen.
- Benutzung des Gerätes unter Beleuchtungsverhältnissen, die keinen ausreichenden Sichtkontakt mit der Last über den gesamten Hubweg gewährleisten.
- Benutzung des Gerätes, wenn eines der Sicherheitssysteme beschädigt oder nicht funktionsfähig ist.
- Benutzung des Gerätes, wenn einer der Haken verformt ist oder einen anormalen Verschleiß aufweist.
- Benutzung der Lastkette als Masse oder elektrischen Leiter.
- Anlegen der Last auf die Hakenspitze.
- Forcieren des Handhebels, wenn die Auslaufsicherung den Hebelzug blockiert.
- Forcieren des Handhebels in Richtung Heben der Last, wenn der Lasthaken das Gerät berührt.
- Seitliches Ziehen der zu hebenden Last.
- Benutzung der Bravo™ AC-Lastkette als Stropp.
- Benutzung des Bravo™ AC Hebelzug als Stropp.
- Heben und Senken der Last ohne Sichtkontakt über den gesamten Hubweg.
- Hinund Herschwingen der Last unter dem Hebelzug.
- Aufenthalt oder Bewegung unter der Last.
- Die Bravo™ AC-Lastkette auf einem Hindernis reiben lassen.
- Benutzung des Handrads während des Betriebs oder bei belasteter Kette.
- Anschlagen einer Last an der Auslaufsicherung.
- Schläge auf den Handhebel.
- Durchführung von Maßnahmen am Gerät ohne vorherige Entlastung.

DE

Inhoudsopgave	Bladzijde
Algemene Waarschuwing.....	20
1. Beschrijving van de Takel.....	21
2. Technische Gegevens	22
3. Installatie	23
4. Werking	23
4.1. Bedrijfsprincipe	23
4.2. Plaatsen van de hijshaak ophet verankerpunt van de last	23
4.3. Bedienen	23
4.4. Belangrijke aanvullende instructies	23
5. Opberging.....	24
6. Hijsketting.....	24
7. Onderhoud	24
8. Noodprocedure in Geval van Incidenten.....	24
9. Markering	24
9.1. Standaard markering.....	24
10. Verboden en Fout Gebruik	25

Algemene Waarschuwing

1. Alvorens dit toestel te installeren en te gebruiken, is het voor de gebruiksveiligheid en de doeltreffendheid ervan noodzakelijk kennis te nemen van deze handleiding, de zin ervan te begrijpen, zich te houden aan de voorschriften en de regels erin beschreven. Een exemplaar van deze handleiding moet ter beschikking van elke operator bewaard worden. Bijkomende exemplaren kunnen op aanvraag door TRACTEL® geleverd worden.
2. Gebruik dit toestel niet als één van de platen, bevestigd op het toestel, of als één van de opschriften op deze platen, in het bijzonder de MGL*, niet langer aanwezig of leesbaar zijn. Een identieke plaat kan op aanvraag door TRACTEL® geleverd worden. Deze platen moet bevestigd worden voordat het toestel gebruikt wordt.
3. Controleer, vóór elk gebruik, of het toestel in goede staat verkeert.
4. De goede staat van de ketting is een essentiële veiligheidsvoorwaarde en een voorwaarde voor de goede werking van het toestel. De controle van de goede staat van de ketting moet bij elk gebruik uitgevoerd worden, zoals aangegeven in het hoofdstuk 6 "Hijsketting". Elk toestel waarvan de ketting symptomen van verslechtering vertoont moet uit dienst genomen worden en naar TRACTEL® teruggestuurd worden voor controle en herstelling.
5. Controleer, vóór elk gebruik van het toestel, of de eindaanslag goed geplaatst is.
6. Voor elk professioneel gebruik, in het bijzonder als u het toestel aan een werknemer of aan een gelijkwaardig persoon dient toe te vertrouwen, hou u aan de bij de montage, bij het onderhoud en bij het gebruik van dit materiaal van toepassing zijnde arbeidsreglementeringen, met name de vereiste controles: controle bij de eerste inbedrijfstelling door de gebruiker, periodieke controles en controles na demontage of herstelling.
7. De permanente controle van de schijnbaar goede staat en het juiste onderhoud van het toestel maken deel uit van de te nemen maatregelen voor een veilig gebruik. Controleer, naargelang de aard van de omgeving, de afwezigheid van corrosie of vroegtijdige slijtage.
8. Bijgevolg, zorg ervoor dat alle personen aan wie u het gebruik ervan toevertrouwt, de hantering ervan kent en in staat is de veiligheidsvoorschriften die deze hantering met zich meebrengt, kan aanvaarden.
9. De ingebruikstelling van dit toestel moet conform de van toepassing zijnde reglementering en veiligheidsnormen omtrent de installatie, het gebruik, het onderhoud en de controle van hijswerktuigen van materialen zijn.
10. Voor professioneel gebruik moet dit toestel onder de verantwoordelijkheid van een persoon worden geplaatst die de op de plaats van de werken toepasbare reglementering kent en die gezag heeft om de toepassing ervan te waarborgen als deze persoon niet de operator is.
11. Personen die dit toestel voor het eerst gebruiken moeten, zonder risico, vóór een last aan te brengen, met een testlast van minstens 10% van de MGL*, en op een lage hijshoogte, controleren of ze alle veiligheidsvoorwaarden en de doeltreffendheid van de hantering ervan begrepen hebben.
12. Het plaatsen en de inbedrijfstelling van dit toestel moeten uitgevoerd worden onder omstandigheden die de veiligheid van de installateur garandeert, conform de in deze categorie van toepassing zijnde reglementering.
13. TRACTEL® ontkent alle verantwoordelijkheid voor de werking van dit toestel in een montageconfiguratie die anders is dan deze beschreven in hoofdstuk 3 "Installatie" van deze handleiding.
14. Het toestel moet op een verankerpunt opgehangen worden en aan een structuur die voldoende weerstand biedt om de maximum toegestane last aangegeven in deze handleiding te dragen. Bij gebruik van meerdere toestellen, moet de weerstand van de structuur functie zijn van het aantal toestellen, volgens hun maximale gebruikslast.
15. Dit handmatig toestel mag nooit gemotoriseerd worden.
16. De gebruiker moet er tijdens het gebruik van de takel voor zorgen dat de ketting constant door de last gespannen is, en vooral dat deze niet tijdelijk

(*): Maximale gebruikslast.

- door een dalend obstakel geneutraliseerd kan worden, hetgeen een risico op het breken van de ketting kan veroorzaken als de last zich van het obstakel bevrijdt.
17. De gebruiker moet er tijdens het gebruik van de takel voor zorgen dat de ketting niet tegen een obstakel gaat wrijven.
 18. Het is verboden dit toestel te gebruiken voor het hijsen of het verplaatsen van personen.
 19. Dit toestel mag nooit voor andere doeleinden gebruikt worden dan deze beschreven in deze handleiding. Het toestel mag niet gebruikt worden voor een last die groter is dan de maximale gebruikslast, aangegeven op het toestel. Het mag nooit in een explosieve omgeving gebruikt worden.
 20. Blijf nooit onder de last staan en begeef u er nooit onder. Signaleer en verbied toegang tot de zone onder de last.
 21. Als een last door meerdere toestellen getild moet worden, dan moet het gebruik ervan voorafgegaan worden door een technische studie door een bevoegd technicus en vervolgens conform deze studie uitgevoerd worden om de constante verdeling van de last onder gepaste omstandigheden te garanderen. TRACTEL® ontkent alle verantwoordelijk als het Tractel-toestel gebruikt wordt in combinatie met andere hijswerktuigen van andere herkomst.
 22. Tijdens de hijswerken, bij het stijgen en het dalen, moet de operator constant de last controleren om risico op botsingen te vermijden.
 23. 23 De hijsketting maakt integraal deel uit van het toestel en mag noch gedemonteerd, noch hersteld, noch gewijzigd worden buiten de controle van TRACTEL®. Elke demontage of wijziging van de hijsketting buiten de controle van TRACTEL® sluit de verantwoordelijkheid van TRACTEL® voor de gevolgen van deze handeling uit.
 24. De hijshaak maakt integraal deel uit van het toestel en mag noch gedemonteerd, noch hersteld, noch gewijzigd worden buiten de controle van TRACTEL®. Elke demontage of wijziging van de hijshaak buiten de controle van TRACTEL® sluit de verantwoordelijkheid van TRACTEL® voor de gevolgen van deze handeling uit.
 25. Elke wijziging, uitgevoerd buiten de controle van TRACTEL®, of het verwijderen van een samenstellend onderdeel stelt TRACTEL® vrij van alle verantwoordelijkheid.
 26. De demontage van dit toestel die niet in deze handleiding beschreven is, of alle herstellingen, uitgevoerd buiten de controle van TRACTEL®, stellen TRACTEL® vrij van elke verantwoordelijkheid, in het bijzonder in het geval van vervanging van onderdelen door onderdelen die van andere herkomst zijn.
 27. TRACTEL® garandeert de werking van het toestel uitsluitend als het uitgerust is met een oorspronkelijke TRACTEL-kabel, volgens de specificaties van deze handleiding.
 28. Het toestel moet periodiek door een door TRACTEL® erkend reparateur gecontroleerd worden, zoals aangegeven in deze handleiding.
 29. Een onderhoudsboekje, dat zich aan het einde van deze handleiding bevindt, moet bijgehouden worden, naargelang het model.
 30. Als het toestel niet gebruikt wordt, moet het buiten het bereik van onbevoegde personen geplaatst worden.
 31. Bij het definitief stopzetten van het gebruik van dit toestel, moet het toestel afgedankt worden zodat het gebruik ervan onmogelijk is. Respecteer de reglementeringen van de milieubeveiliging die in het land van gebruik gelden.

1. Beschrijving van de Takel

De Bravo™ AC-takel is een hand rateltakel met ketting om een last te hijsen, te trekken, te spannen of te bevestigen op een vast verankerpunt of op een mobiele wagen. Informatie over loopkatten kunt u aanvragen bij TRACTEL®.

De Bravo™ AC-takel is een robuust toestel, gefabriceerd met materialen van hoge kwaliteit. Het is compact, draagbaar en handig in gebruik. Het toestel weegt minder dankzij het gebruik van aluminium carters.

De Bravo™ AC-takel is geleverd, uitgerust met een hijsketting (tek. 1, fig. 1) met een standaardhoogte van 1.50 m. De hijskabel bestaat uit één enkele koord met een hijshaak op het uiteinde (tek. 2, fig. 1). De hijsketting van het model 6 t bestaat uit 2 draden en een gemoffelde hijshaak (tek. 3, fig. 1). Het vrije uiteinde van de ketting is uitgerust met een lage eindaanslag (tek. 4, fig. 1).

OPGELET: Het is verboden een last te bevestigen op de lage eindaanslag.

Een koppelinrichting maakt het mogelijk de ketting snel en makkelijk te regelen aan de hand van de eindaanslag. Deze handeling moet uitgevoerd worden zonder last.

De Bravo™ AC-takel is conform de Europese richtlijn 2006/42/CE en The Supply of Machinery (Safety) Regulations 2008 (SI 2008/1597) van het Verenigd Koninkrijk en is vervaardigd om een minimum mechanische weerstand te garanderen van 4 x de maximale gebruikslast*.

De Bravo™ AC-takel is ontworpen en gebouwd om dynamische testen te dragen aan 1.1 x MGL* en statisch aan 1.5 x MGL*.

Beschrijving van de standaardlevering:

- Takel uitgerust met de hijskabel,
- CE- en UKCA-conformiteitscertificaat,
- Deze handleiding,
- Een tas voor opslag en transport.

Het geheel is in een kartonnen verpakking geleverd.

2. Technische Gegevens

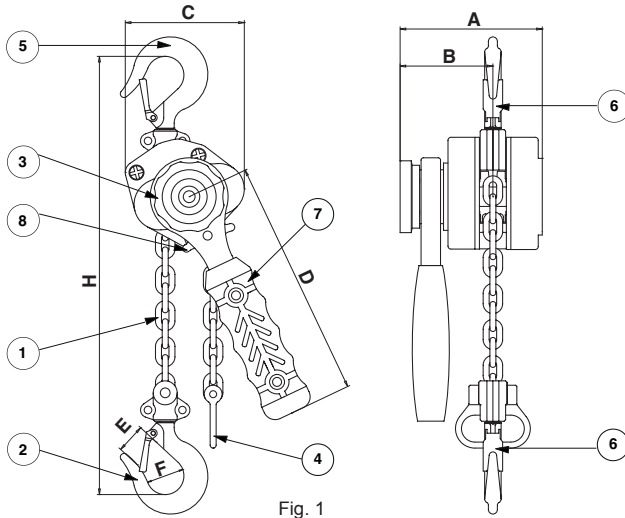


Fig. 1

1: hijsketting. 2: hijshaak. 3: wiel. 4: lage eindaanslag. 5: ophanghaak.
6: veiligheidspalen. 7: hefboom. 8: hendel van de keuzeknop.

144435-1

(*) : Maximale gebruikslast

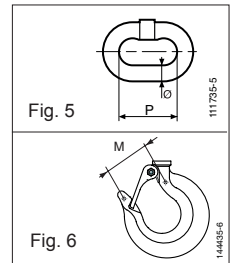
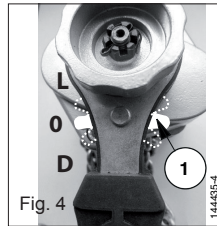
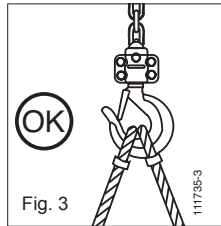


Fig. 5

Fig. 6

M.G.L.* (t)	0,25	0,5	
Standaard hijshoogte ** (m)	1,5		
Minimale afstand tussen haak H (mm)	230	270	
Maximale kracht op de hefboom aan de MGL.* (N)	170	190	
Aantal draden	1		
Afmetingen ketting (type T)	4 x 12	5 x 15	
Afmetingen (mm)	A	100	110
	B	61	68
	C	80	100
	D	160	160
	E	23	25
	F	32	34
Nettogewicht (kg)	2,3	3,3	
Extra gewicht per m hijshoogte (kg)	0,35	0,56	

** : Andere lengte mogelijk voor beide modellen: 3 m

3. Installatie

Voordat u de Bravo™ AC installeert, moet u de onderstaande punten controleren:

1. Controleer of de takel in een goede staat van onderhoud verkeert.
2. Controleer of de takel voldoende capaciteit heeft voor het uit te voeren karwei.
3. Controleer de goede staat van de haken en van de veiligheidsspallen.
4. Controleer of de lage eindaanslag aanwezig is.
5. Controleer of de hijsketting correct gemonteerd.
6. Controleer of het ophangpunt sterk genoeg is om de te hijsen last te kunnen houden.

Installeer de Bravo™ AC-takel, na de voorafgaande controles uitgevoerd te hebben en hun conformiteit te bevestigen, op een verankerpunt en voer de volgende handelingen uit:

1. Controleer of de Bravo™ AC-takel correct op de ophanghaak opgehangen is (tek. 5, fig. 1) en of de veiligheidspal van de haak (tek. 6, fig. 1) goed gesloten is (zie fig. 2 en 3).
2. Controleer of de hijsketting geen torsies ondergaan heeft bij het plaatsen ervan.
3. Controleer zonder last of de functies voor hijsen en laten zakken goed werken.
4. Controleer bij gebruik van de takel met een duwloopkat - zonder last - of de loopkat vrij heen en weer kan bewegen. Controleer, bij gebruik van een handmechanische loopkat - zonder last - de bewegingsrichting door aan de handketting van de loopkat te trekken. De verplaatsing moet op een strikt horizontaal vlak uitgevoerd worden.

Plaats de last nadat deze controles uitgevoerd werden en de conformiteit bevestigd is, en zorg ervoor:

1. dat het verankeraccessoire van de last de haak volledig draagt en de sluiting van de veiligheidspal niet hindert (zie fig. 2 en 3).
2. de vrije uitlijning van de last van het toestel en van het verankerpunt van het toestel.

4. Werking

4.1. Bedrijfsprincipe

De Bravo™ AC-takel wordt bediend met een hefboom (tek. 7, fig. 1), ingeschakeld door de operator door een heen-en-weer beweging om de last te hijsen, te doen dalen, te trekken of op te spannen.

4.2. Plaatsen van de hijshaak ophet verankerpunt van de last

Als het plaatsen van de hijshaak de aanpassing van de lengte van de ketting vereist dan gaat men op de volgende manier te werk:

1. Zorg ervoor dat de ketting onbelast is.
2. Plaats de hendel van de keuzeknop (tek. 1, fig. 4) van de beweging in de neutrale positie "0".
3. Draai het lastwiel (tek. 3, fig. 1), zonder dat er een last aan de takel hangt, tegen de wijzers van de klok in om de rem te openen; de ketting is nu ontkoppeld.
4. Als het niet mogelijk is om het lastwiel te draaien, zet dan de keuzeschakelaar in de positie "D" (fig. 4). Plaats de keuzeknop terug in de "0" positie en trek aan de ketting die op deze manier bevrijd werd met de lage eindaanslag.
5. Bevestig de hijshaak op de last (of op het vast punt), of op het punt van het toepassen van de spanning. Zet de ketting lichtjes onder spanning door aan de ketting te trekken met de lage eindaanslag.
6. Draai het lastwiel met de wijzers van de klok mee; de rem is nu gesloten. De ketting grijpt nu in de takel.

4.3. Bedienen

1. Om te hijsen, trekken of spannen: zet de keuzehandel in stand "L" (fig. 4) en beweeg de hefboom heen en weer.
2. Om de last te laten zakken of te lossen: zet de keuzehandel in stand "D" (fig. 4) en beweeg de hefboom heen en weer.

4.4. Belangrijke aanvullende instructies

1. Controleer, wanneer de Bravo™ AC-takel buiten bedrijf gesteld wordt, of een eventuele last veilig en stevig op de grond staat en of de hijsketting slap genoeg hangt om de onderste haak los te kunnen maken van de last.
2. De hendel van de keuzeknop mag niet in de neutrale positie "0" staan als een last opgehangen is of als de takel onder spanning staat. Zorg ervoor dat de keuzeknop correct in de gewenste positie staat en niet tussen twee posities.
3. Probeer nooit het lastwiel te bedienen tijdens een karwei of wanneer er een last aan de takel hangt.
4. Afgeraden wordt de hefboom te snel heen en weer te bewegen aangezien dit kan leiden tot een ongelijkmatige verplaatsing van de last. Het verdient aanbeveling de hefboom in een rustig en gelijkmatig tempo heen en weer te bewegen zodat onnodig schokken van de last voorkomen wordt.

5. Opberging

Aanbevolen wordt de takel opgehangen op te bergen zodat de hijsketting niet in de knoop kan raken. Sla de takel in een droge en weerbestendige ruimte op. Reinig de hijsketting eerst met een borstel en smeer die in met machineolie alvorens de takel op te bergen.

6. Hijsketting

Een goede conditie van de hijsketting is, evenals een goede staat van onderhoud van de takel, een garantie voor veiligheid. Daarom is het noodzakelijk om voortdurend de conditie van de hijsketting in de gaten te houden en deze regelmatig te reinigen en in te smeren met machineolie.

De hijsketting moet, als de takel in gebruik is, dagelijks geïnspecteerd worden op tekenen van slijtage of verslechtering van de conditie. In geval er sprake is van ook maar enige verslechtering van de conditie van de hijsketting, laat die dan controleren door een bevoegd persoon (volgens de Technische Fiche T2208).

Stel de hijsketting niet bloot aan te hoge temperaturen, schurende materialen of aan chemicaliën.

Beveilig de ketting tegen alle mogelijk agressies zoals vlambooglassen.

7. Onderhoud

De takel moet periodiek en minstens eenmaal per jaar en volgens de in het land van gebruik geldende veiligheidsmaatregelen gecontroleerd en getest worden met een last en door bevoegd erkend onderhoudspersoneel.

Periodiek, in 't bijzonder na frequent gebruik, of ten minste eenmaal per jaar en overeenkomstig de Europese veiligheidsvoorschriften, moet de takel voor onderhoud en reparatie aangeboden worden aan een erkend en bevoegd service- en reparatiecentrum voor hijs- en hefwerktuigen. Als de distorsie tussen de indicators van de haak groter is dan 2 mm (fig. 6, afstand "M" aangegeven in tabel van hoofdstuk 2 "Technische specificaties") dan beoordeelt men dat is het toestel beschadigd is en moet het verplicht buiten dienst gesteld worden.

Controleer regelmatig de staat van de haken, met name in het geval van overbelasting.

Bij beschadigingen, bezorg de Bravo™ AC-takel terug aan het herstellingsatelier dat door TRACTEL® goedgekeurd werd.

8. Noodprocedure in Geval van Incidenten

In het geval van blokkeringen van de ketting of bij alle andere functiestoringen van het toestel, stop onmiddellijk de bediening van het toestel zonder aandringen, verwittig het personeel dat bevoegd is om lasten neer te plaatsen en herstellingen op het toestel uit te voeren.

Zet verplicht een veiligheidszone op rond het toestel en loodrecht met de last om zodoende de toegang voor onbevoegde personen te vermijden.

Het toestel terugsturen naar een erkende TRACTEL® reparateur.

9. Markering

9.1. Standaard markering

Twee etiketten zijn op elke Bravo™ AC-takel (fig. 7) gekleefd en geven de volgende informatie:

- Merkt. 1: omschrijving van de takel,
- Merkt. 2: Maximale gebruiklast (M.G.L.*) in kg,
- Merkt. 3: afmetingen van de hijsketting,
- Merkt. 4: EG-markering,
- Merkt. 5: jaar van fabricatie,
- Merkt. 6: symbool dat aangeeft dat het lezen van deze handleiding verplicht is voordat de takel gebruikt mag worden,
- Merkt. 7: adres en gegevens van de fabrikant:
TRACTEL SAS France
RD 619 Saint-Hilaire sous-Romilly
BP38 - F-10102 FRANCE
- Merkt. 8: Serienummer.
- Merkt. 9: UKCA-markering.

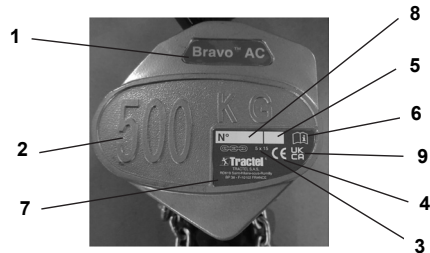


Fig.: 7

Etiket (afb. 8) van de smering van de ketting die op elk apparaat geplakt zit.



Fig.: 8

10. Verboden en Fout Gebruik

Het is verboden:

- Het toestel te gebruiken als het langer dan een jaar geleden gecontroleerd werd.
- Dit apparaat te gebruiken wanneer zijn ketting vervormd is, versleten of zeer aangevreten is
- Het toestel te gebruiken met een andere ketting dan de oorspronkelijke TRACTEL® ketting.
- Het toestel te gebruiken met een verlengkabel op de hefboom.
- Het toestel te gebruiken als de hijsketting niet correct in het kruisstuk en in de moffel geplaatst is.
- Om het even welke wijziging op het toestel uit te voeren.
- Andere onderdelen of toebehoren te gebruiken dan de oorspronkelijke TRACTEL® onderdelen en toebehoren.
- Een toestel dat in slechte staat verkeert, te gebruiken.
- Dit toestel te gebruiken zonder eerst de in deze handleiding beschreven voorafgaande controles uitgevoerd te hebben.
- Het toestel op een onvoldoende weerstand biedende structuur te bevestigen.
- Dit toestel met andere middelen te bevestigen dan zijn ophanghaak.
- De ophanghaak te omkralen.
- Te proberen een vaste of een geblokkeerde last te hijsen.
- De hendel van de keuzeknop in de positie "0" te zetten als de ketting onder spanning staat.
- Een hogedrukreiniger of chemische producten (zuren, chloorhoudende producten) te gebruiken om dit toestel te reinigen.
- Het toestel te gebruiken voor een last die groter is dan de maximale gebruikslast.
- De hefboom niet handmatig te manoeuvreren
- Het toestel te gebruiken als de markering niet leesbaar is.
- Het toestel te gebruiken in een explosieve of zeer corrosieve omgeving (toestel niet conform de ATEX richtlijn).
- Het toestel te gebruiken als de temperatuur lager is dan -10°C of hoger dan +50°C is.
- Het toestel te gebruiken voor het hijsen van lasten als de windsnelheid meer dan 50 km/u bedraagt.
- Het toestel te gebruiken, zelfs af en toe, voor het hijsen of het verplaatsen van personen.

- Het toestel te gebruiken voor andere doeleinden dan deze waarvoor het bestemd is of volgens andere dan in deze handleiding beschreven montageschema's.
- Het toestel te gebruiken als de verlichtingsvoorwaarden onvoldoende zijn om de last over het volledige traject te volgen.
- Dit toestel te gebruiken als één van de veiligheidssystemen ervan beschadigd of niet functioneel zijn.
- Dit toestel te gebruiken als één van de haken vervormd is of abnormale slijtage vertoont.
- De hijsketting te gebruiken als massa of als elektrische geleider.
- Een last aan te brengen op het uiteinde van de haak.
- De hendel te forceren als de lage eindaanslag de takel blokkeert.
- De hefboom te forceren in de richting van het heffen van de lading wanneer de hefhaak tegen het apparaat ligt
- Een laterale tractie op de te hijsen lasten uit te voeren.
- De Bravo™ AC-hijsketting te gebruiken als strop.
- De Bravo™ AC te gebruiken als strop.
- De last te doen stijgen of te dalen zonder deze uit het zicht te verliezen over het volledige traject.
- De last te laten schommelen onder het toestel.
- Te stationneren of zich onder de last te begeven.
- De ketting van de Bravo™ AC-takel tegen een obstakel te laten wrijven.
- Het wiel in te schakelen tijdens een beweging of als de ketting onder spanning staat.
- Een last te bevestigen op de lage eindaanslag.
- Op de hefboom te kloppen.
- Op het toestel in te grijpen zonder eerst de last van het toestel te verwijderen.

NL



This machinery fulfils all the relevant provisions of the Supply of Machinery (Safety) Regulations 2008 (SI 2008/1597) as amended (SI 2011/1042, SI 2011/2157, SI 2019/696)

M. Nicolas EMERY

Managing Director TSAS, duly authorised
Romilly-sur-Seine, 25.02.2021

Manufacturer

Tractel S.A.S.
RD 619, Saint-Hilaire-sous-Romilly
F – 10102 Romilly-sur-Seine
Tel +33 (0) 325 21 07 00 /Fax +33 (0) 325 21 07 11
info.tsas@tractel.com

Authorised to compile the technical file

Tractel UK Ltd
Old Lane Halfway
UK – S20 3GA Sheffield
Tel +44 (0) 114 248 22 66
sales.uk@tractel.com



FR

DECLARATION OF CONFORMITY

EN

DECLARATION DE CONFORMITE

ES

DECLARACIÓN DE CONFORMIDAD

IT

DICHIARAZIONE DI CONFORMITÀ

DE

KONFORMITÄTSEERKLÄRUNG

NL

CONFORMITEITSVERKLARING

PT

DECLARAÇÃO DE CONFORMIDADE

DK

OVERENSSTEMMELSESERKLÆRING

FI

VASTAAVUUSVAKUUTUS

NO

SAMSVARERKLÆRING

SE

FÖRSÄKRAN OM

GR

ÖVERENSSTÄMMELSE

PL

ΔΗΛΩΣΗ ΣΥΜΜΟΡΦΩΣΗΣ

RU

DEKLARACJA ZGODNOŚCI

HU

СЕРТИФИКАТ СООТВЕТСТВИЯ

CZ

MEGFELELŐSÉGINYILATKOZAT

BG

PROHLÁ-ENÍ O SHODU

RO

ДЕКЛАРАЦИЯ ЗА СЪОТВЕТСТВИЕ

SK

DECLARATIE DE CONFORMITATE

SI

VYHLÁSENIE O ZHODE

IZJAVA O USTREZNOSTI

**TRACTEL S.A.S.**

RD 619, Saint-Hilaire-sous-Romilly, F-

10102 ROMILLY-SUR-SEINE

T : 33 3 25 21 07 00



represented by / représentée par / representado por / rappresentato da / vertreten durch / vertegenwoordigd door / representada por / repræsenteret af / edustajana / representert ved / företräds av / εκπροσωπούμενη από / reprezentowany przez / в лице / képviselő / zastoupená / представител / reprezentat de catre / zastúpená / ki ga predstavlja

M. Nicolas EMERY

TRACTEL S.A.S.

RD 619, Saint-Hilaire-sous-Romilly,

F-10102 ROMILLY-SUR-SEINE

General manager / Directeur Général / gerente general / Direttore generale / Generaldirektor / Algemeen manager / Director Geral / Daglig leder / Toimitusjohtaja / Daglig leder / VD / Γενικός διευθυντής / Główny menadżer / Главный управляющий / Vezérigazgató / Generální ředitel / Управител / Manager general / Generalny riaditel / Generalni direktor

Also responsible for technical documentation / Aussi responsable de la documentation technique / También responsable de la documentación técnica / Responsabile anche della documentazione tecnica / Auch verantwortlich für die technische Dokumentation / Tevens verantwoordelijk voor technische documentatie / Também responsável pela documentação técnica / Også ansvarlig for tekniskdokumentation / Vastaa myös teknisestä dokumentaatiosta / Også ansvarlig for teknisk dokumentasjon / Ansvarar också för teknisk dokumentation / Επίσης υπεύθυνος για την τεχνική τεκμηρίωση / Odpowiada również za dokumentację techniczną / Также отвечает за техническую документацию / Felelős a műszaki dokumentációért is / Zodpovedá také za technickou dokumentaci / Отговаря и за техническата документация / De asemenea, responsabil pentru documentația tehnică / Zodpovedá aj za technickú dokumentáciu / Odgovorna tudi za tehnično dokumentacijo

Saint Hilaire sous Romilly
Le 25/02/2021



E N	CERTIFIES THAT: The equipment designated opposite is compliant with the technical safety rules applicable on the initial date of marketing in the EUROPEAN UNION by the manufacturer. MEASURES APPLIED: See below	S E	INTYGAR ATT: utrustningen som avses på motstående sida överensstämmer med de tekniska säkerhetsregler som är tillämpliga när produkten släpps på Europeiska unionens marknad. GÄLLANDE BESTÄMMELSER: Se ovan
F R	CERTIFIE QUE : L'équipement désigné ci-contre est conforme aux règles techniques de sécurité qui lui sont applicables à la date de mise sur le marché de l'UNION EUROPÉENNE par le fabricant. DISPOSITIONS APPLIQUÉES : Voir ci-dessous	G R	ΒΕΒΑΙΩΝΕΙ ΟΤΙ: Ο εξοπλισμός που αναφέρεται δίπλα είναι σύμφωνος προς τους τεχνικούς κανόνες ασφαλείας που ισχύουν κατά την ημερομηνία διάθεσής του στην αγορά της ΕΥΡΩΠΑΪΚΗΣ ΕΝΩΣΗΣ από τον κατασκευαστή. ΙΣΧΥΟΥΣΕΣ ΔΙΑΤΑΞΕΙΣ: Βλέπε παρακάτω
E S	CERTIFICA QUE: El equipo designado al lado es conforme con las reglas técnicas de seguridad que le son aplicables en la fecha de comercialización de la UNIÓN EUROPEA por el fabricante. DISPOSICIONES APLICADAS: Ver abajo	P L	ZASWIADCZA, ŻE: Sprzęt określony na odwrocie odpowiada technicznym regułom bezpieczeństwa stosującym się do niego w dniu wprowadzenia przez producenta na rynek UNII EUROPEJSKIEJ. STOSOWANE PRZEPISY: Patrz niżej
I T	CERTIFICA CHE: L'equipaggiamento designato a fianco è conforme alle regole tecniche di sicurezza ad esso applicabili alla data di messa, dal costruttore, sul mercato dell'UNIONE EUROPEA. DISPOSIZIONI APPLICABILI: Vedi soprastante	R U	УДОСТОВЕРЯЕТ СЛЕДУЮЩЕЕ: названное оборудование соответствует применимым к нему техническим правилам безопасности, действующим на момент его выпуска производителем на рынок ЕВРОПЕЙСКОГО СОЮЗА. ПРИМЕНИМЫЕ ПОЛОЖЕНИЯ: См. ниже
D E	ERKLÄRT, DASS: Die gegenüber bezeichnete Ausrüstung den technischen Sicherheitsbestimmungen entspricht, die zum Zeitpunkt des Inverkehrbringens in der EUROPÄISCHEN UNION durch den Hersteller für die Ausrüstung gelten. ANGEWENDETE VORSCHRIFTEN: Siehe unten	H U	TANÚSÍTJA, HOGY: a szemközt megnevezett felszerelés megfelel a gyártó által az EURÓPAI UNIÓBÉLÜLI forgalmazás megkezdésének időpontjában érvényben lévő vonatkozó műszaki biztonsági szabályoknak. ALKALMAZOTT RENDELKEZÉSEK : Lásd alább
N L	VERKLAART DAT: De in hieronder beschreven uitrusting conform de technische veiligheidsvoorschriften is die van toepassing zijn op de datum van de marktintroductie in de EUROPESE UNIE door de fabrikant. TOEGEPASTE SCHIKKINGEN: Zie hieronder	C Z	POTVRZUJE, ŽE: Niže uvedené zařízení je v souladu s technickými pravidly bezpečnosti platnými ke dni jeho uvedení výrobcem na trh EVROPSKÉ UNIE. PLATNÁ USTANOVENÍ: VViz níže
P T	CERTIFICA QUE: O equipamento designado ao lado satisfaz as regras técnicas de segurança aplicáveis na data da introdução no mercado da UNIÃO EUROPEIA pelo fabricante. DISPOSIÇÕES APLICADAS: Ver abaixo	B G	УДОСОТВЕРЯВА, ЧЕ: описаното насреща съоръжение съответства на приложимите за него технически правила за безопасност към датата на пускането му на пазара на ЕВРОПЕЙСКИЯ СЪЮЗ от производителя. ПРИЛОЖИМИ РАЗПОРЕДБИ: Виж по-долу
D K	ERKLÄRER AT: Udstyret betegnet på modstående side er i overensstemmelse med de gældende tekniske sikkerhedsforskrifter på den dato, hvor fabrikanten har markedsført det i den EUROPÆISKE UNION. GÆLDENDE BESTEMMELSER: Se nedenfor	R O	CERTIFICĂ FAPTUL CĂ: Echipamentul menționat alături este conform normelor tehnice de securitate aplicabile la data lansării pe piața UNIUNII EUROPENE de către producător. DISPOZIȚII APLICATE : A se vedea mai jos
F I	VAKUUTTAA, ETTÄ: laite, johon tässä asiakirjassa viitataan täyttää tekniset turvamääräykset sinä päivänä, jona valmistaja tuo tuotteen myyntiin Euroopan unionin markkinoille. SOVELLETTAVAT MÄÄRÄYKSET: Katso alta	S K	POTVRDUJE, ŽE: Nižšie uvedené zariadenie je v súlade s technickými pravidlami bezpečnosti platnými ku dňu jeho uvedenia výrobcem na trh EURÓPSKEJ UNIE. PLATNÉ USTANOVENIA: Pozrite nižšie
N O	SERTIFISERER AT: Det udstyret som omtales på motsatt side er i overensstemmelse med de tekniske sikkerhetsregler som gjelder på det tidspunktet som fabrikanten setter udstyret i drift på markedet i DEN EUROPÆISKE UNION. GJELDENDE NORMER: Se under	S I	POTRJUJE, DA: je opisana oprema skladna s tehničnimi pravili na področju varnosti, ki veljajo zanjo z dnem, ko jo proizvajalec pošlje na tržišče EVROPSKE UNIJE. VELJAVNA DOLOČILA: glej spodaj

 2006/42/CE 2006/95/CE 2004/108/CE 2000/14/CE

DESIGNATION / DÉSIGNATION / DESIGNACIÓN / DESIGNAZIONE / BEZEICHNUNG/
BESCHRIJVING / DESIGNAÇÃO / BETEGNELSE / NIMITYS / BENEVNELSE /
BETECKNING / ΟΝΟΜΑΣΙΑ / NAZWA / НАИМЕНОВАНИЕ / MEGNEVEZÉS / NÁZEV /
НАИМЕНОВАНИЕ / DENUMIRE / NÁZOV / OPIS

Manual chain hoist / Palan à chaine manuel / Aparejo con cadena manual / Paranco a catena
manuale / Handkettenzug / Handmatige ketttingtakel / Diferencial de corrente manual / Talje med
manuel kæde / Käsikäyttöinen ketjutilja / Manuell kjettingtalje / Manuellt kedjelyftblock /
χειροκίνητη ανύψωση αλυσίδας / Wciaggnik łańcuchowy ręczny / Ручной цепной таль / Kézi,
láncos emelőcsiga / Ručný reťazový kladkostroj / Верижна ръчна макара / Palan manual cu lant
/ Ruãn reĹazov kladkostroj / Ročni verižni vitel

APPLICATION / APPLICATION / APLICACIÓN / APPLICAZIONE / ANWENDUNG /
TOEPASSING / APLICAÇÃO / ANVENDELSE / KÄYTTÖ / BRUKSOMRÅDE / ANVÄNDNING /
ΕΦΑΡΜΓΗ / ZASTOSOWANIE / ПРИМЕНЕНИЕ / ALKALMAZÁSI TERÜLET / APLIKACE /
ПРИЛОЖЕНИЕ / DOMENIU DE APLICARE / APLIKÁCIA / UPORABA

Equipment hoisting / Levage de matériel / Elevación de material / Sollevamento di materiale /
Heben von Material / Hijsmateriaal / Elevação de material / Ophejsning af materiel /
Nostomateriaali / Heving av materiell / Lyft av materiel / Ανύψωση υλικών / Podnoszenie sprzętu
/ Подъем материалов / Anyagemelé / Zdvíhanie materiálu / Повдигане на товари / Ridicare
de material / Zdvíhanie materiálu / Dviganje materiala

MAKE / MARQUE / MARCA / MARCA / MARKE / MERK / MARCA / MÆRKE / MERKKI / MERKE
/ MÄRKE / ΕΜΠΟΡΙΚΟ ΣΗΜΑ/MARKA / ФИРМА / MÁRKA / ZNAČKA / МАРКА / MARCA /
ZNAČKA / ZNAMKA

Bravo™ AC

TYPE / TYPE / TIPO / TIPO / ТУР / TYPE / TIPO / TYPE / ΤΥΡΡΙ / TYPE / ТУР / ΤΥΠΟΣ /
ТУР / ТИП / ТÍPUS / ТУР / ТИП / ТИР / ТУР / ТИР

0,25 t

0,5 t

SERIAL NO / N° DE SÉRIE / N° DE SÉRIE / Nr. DI SERIE / SERIEN-NR /
SERIENUMMER / N° DE SÉRIE / SERIENUMMER / SARJANUMERO /
SERIENUMMER / SERIENR / ΣΕΙΡΙΑΚΟΣ ΑΡΙΘΜΟΣ / Nr SERII / N°СЕРИИ
/ SZÉRIASZÁM / VÝROBNÍ ČÍSLO/ СЕРИЕН N°/ NR. DE SERIE / VÝROBNÉ
ČÍSLO/ SERIJSKA ·T.

Nom de l'utilisateur

Date de mise en service

Name of user

Date of first use

Naam van de gebruiker

Datum ingebruikneming

Name des Benutzer

Datum der Inbetriebnahme

RÉVISION – REVISION – REVISIE – PRÜFUNG

Date
Date
Datum
Datum



Visa
Signature
Visa
Unterschrift

Nom de l'utilisateur

Date de mise en service

Name of user

Date of first use

Naam van de gebruiker

Datum ingebruikneming

Name des Benutzer

Datum der Inbetriebnahme

RÉVISION – REVISION – REVISIE – PRÜFUNG

Date
Date
Datum
Datum



Visa
Signature
Visa
Unterschrift

NORTH AMERICA

CANADA

Tractel Ltd.

1615 Warden Avenue
Toronto, Ontario M1R 2T3,
Canada
Phone: +1 800 465 4738
Fax: +1 416 298 0168
Email: marketing.swingstage@
tractel.com

11020 Mirabeau Street
Montréal, QC H1J 2S3, Canada
Phone: +1 800 561 3229
Fax: +1 514 493 3342
Email: tractel.canada@tractel.
com

MÉXICO

Tractel México S.A. de C.V.

Galileo #20, O cina 504.
Colonia Polanco
México, D.F. CP. 11560
Phone: +52 55 6721 8719
Fax: +52 55 6721 8718
Email: tractel.mexico@tractel.
com

USA

Tractel Inc.

51 Morgan Drive
Norwood, MA 02062, USA
Phone: +1 800 421 0246
Fax: +1 781 826 3642
Email: tractel.usa-east@tractel.
com

168 Mason Way
Unit B2
City of Industry, CA 91746, USA
Phone: +1 800 675 6727
Fax: +1 626 937 6730
Email: tractel.usa-west@
tractel.com

BlueWater L.L.C

4064 Peavey Road
Chaska, MN 55318, USA
Phone: +1 866 579 3965
Email: info@bluewater-mfg.
com

Fabenco, Inc

2002 Karbach St.
Houston, Texas 77092, USA
Phone: +1 713 686 6620
Fax: +1 713 688 8031
Email: info@safetygate.com

EUROPE

GERMANY

Tractel Greifzug GmbH
Scheidtbachstrasse 19-21
51469 Bergisch Gladbach,
Germany
Phone: +49 22 02 10 04-0
Fax: +49 22 02 10 04 70
Email: info.greifzug@tractel.
com

LUXEMBOURG

Tractel Secalt S.A.
Rue de l'Industrie
B.P 1113 - 3895 Foetz,
Luxembourg
Phone: +352 43 42 42-1
Fax: +352 43 42 42-200
Email: secalt@tractel.com

SPAIN

Tractel Ibérica S.A.
Carretera del Medio, 265
08907 L'Hospitalet del
Llobregat Barcelona, Spain
Phone : +34 93 335 11 00
Fax : +34 93 336 39 16
Email: infoitib@tractel.com

FRANCE

Tractel S.A.S.
RD 619 Saint-Hilaire-sous-
Romilly
BP 38 Romilly-sur-Seine
10102, France
Phone: +33 3 25 21 07 00
Email: info.tsas@tractel.com

Ile de France Maintenance Service S.A.S.

3 rue de champfleuri
Zac du Gué de Launay
77360 Vaires sur Marne,
France
Phone: +33 1 56 29 22 22
E-mail: ifms.tractel@tractel.com

Tractel Location Service

3 rue de champfleuri
Zac du Gué de Launay
77360 Vaires sur Marne,
France
Phone: +33 1 60 36 30 00
E-mail: info.tls@tractel.com

Tractel Solutions S.A.S.

77-79 rue Jules Guesde
69230 St Genis-Laval, France
Phone: +33 4 78 50 18 18
Fax: +33 4 72 66 25 41
Email: info.tractelsolutions@
tractel.com

GREAT BRITAIN

Tractel UK Limited

Old Lane Halfway
Sheffield S20 3GA,
United Kingdom
Phone: +44 114 248 22 66
Email: sales.uk@tractel.com

ITALY

Tractel Italiana SpA
Viale Europa 50
Cologno Monzese (Milano)
20093, Italy
Phone: +39 02 254 47 86
Fax: +39 02 254 71 39
Email: infoit@tractel.com

NETHERLANDS

Tractel Benelux BV
Paardeweide 38
Breda 4824 EH, Netherlands
Phone: +31 76 54 35 135
Fax: +31 76 54 35 136
Email: sales.benelux@tractel.
com

PORTUGAL

Lusotractel Lda
Bairro Alto Do Outeiro
Armazém, Trajouce, 2785-653
S. Domingos de Rana, Portugal
Phone: +351 214 459 800
Fax: +351 214 459 809
Email: comercial.lusotractel@
tractel.com

POLAND

Tractel Polska Sp. z o.o.
ul. Byslawska 82
Warszawa 04-993, Poland
Phone: +48 22 616 42 44
Fax: +48 22 616 42 47
Email: tractel.polska@tractel.
com

NORDICS

Tractel Nordics
(Scanclimber OY)
Turkkirata 26, FI - 33960
PIRKKALA, Finland
Phone: +358 10 680 7000
Fax: +358 10 680 7033
E-mail: tractel@scanclimber.
com

RUSSIA

Tractel Russia O.O.O.
Olympiysky Prospect 38, Office
411, Mytishchi, Moscow Region
141006, Russia
Phone: +7 495 989 5135
Email: info.russia@tractel.com

ASIA

CHINA

Shanghai Tractel Mechanical
Equip. Tech. Co. Ltd.
2nd oor, Block 1, 3500 Xiupu
road,
Kangqiao, Pudong,
Shanghai, People's Republic
of China
Phone: +86 21 6322 5570
Fax : +86 21 5353 0982

SINGAPORE

Tractel Singapore Pte Ltd
50 Woodlands Industrial
Park E7
Singapore 757824
Phone: +65 6757 3113
Fax: +65 6757 3003
Email: enquiry@
tractelsingapore.com

UAE

Tractel Secalt SA Dubai
Branch
Office 1404, Prime Tower
Business Bay
PB 25768 Dubai, United Arab
Emirates
Phone: +971 4 343 0703
Email: tractel.me@tractel.com

INDIA

Secalt India Pvt Ltd.
412/A, 4th Floor, C-Wing, Kailash
Business Park, Veer Savarkar
Road, Parksite, Vikhroli West,
Mumbai 400079, India
Phone: +91 22 25175470/71/72
Email: info@secalt-india.com

TURKEY

Knot Yapı ve İş Güvenliği San.
Tic. A.Ş.
Cevizli Mh. Tugay Yolu CD.
Nuvo Dragos Sitesi
A/120 Kat.11 Maltepe
34846 İstanbul, Turkey
Phone: +90 216 377 13 13
Fax: +90 216 377 54 44
Email: info@knot.com.tr

ANY OTHER COUTRIES:

Tractel S.A.S.

RD 619 Saint-Hilaire-sous-
Romilly
BP 38 Romilly-sur-Seine
10102, France
Phone: +33 3 25 21 07 00
Email: info.tsas@tractel.com

